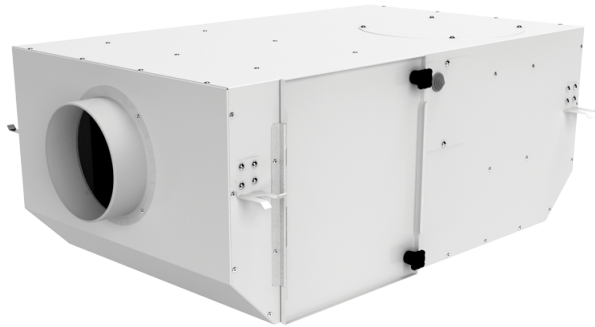


Iso Box-F 150 ES V2

Centrifugal inline fans with forward curved blades in sound-insulated casings with filters

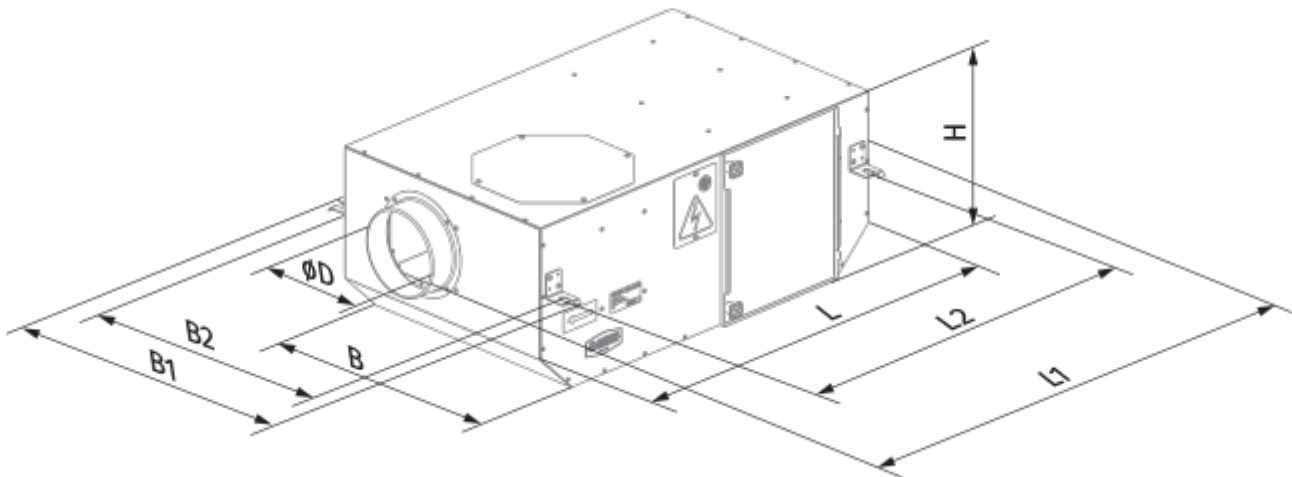


- Sound pressure level LpA at 3 m: 27
- Sound-insulated casing
- Impeller type: Centrifugal impeller with forward curved blades
- Casing material: Coated steel
- Installation in any position

| | Unit of measurement | Iso Box-F 150 ES V2 | |
|--|---------------------|---------------------|------|
| Speed | - | 1 | 2 |
| Phases | - | 1 | |
| Minimum supply voltage | V | 230 | |
| Maximum supply voltage | V | 230 | |
| Power supply frequency | Hz | 50 | |
| Rated power | W | 92 | 117 |
| Unit current | A | 0.41 | 0.55 |
| Maximum airflow | m ³ /h | 320 | 430 |
| Rotation speed at 50hz | - | 700 | 1200 |
| Sound pressure level LpA at 3 m | dB(A) | 16 | 27 |
| Weight | kg | 18.5 | |
| Transported air temperature (max) | °C | 40 | |
| Transported air temperature (min) | °C | -25 | |
| Ingress protection rating | - | IPX4 | |
| Ingress protection rating of the drive | - | IP44 | |
| Impeller material | - | Plastic | |
| Article | - | 8071164 | |


Dimensions

| ∅ D | L | H | B | L1 | B1 | L2 | B2 |
|-----|-----|-----|-----|-----|-----|-----|-----|
| 150 | 785 | 300 | 458 | 855 | 551 | 730 | 502 |



Accessories

Speed control switches

| Name | Photo | Description |
|--------------------------|---|--------------------|
| CDP-2/10 |  | Multi-speed switch |