

Iso Box-F 150 ES L V2

Sound-insulated inline centrifugal fans with electrostatic filters

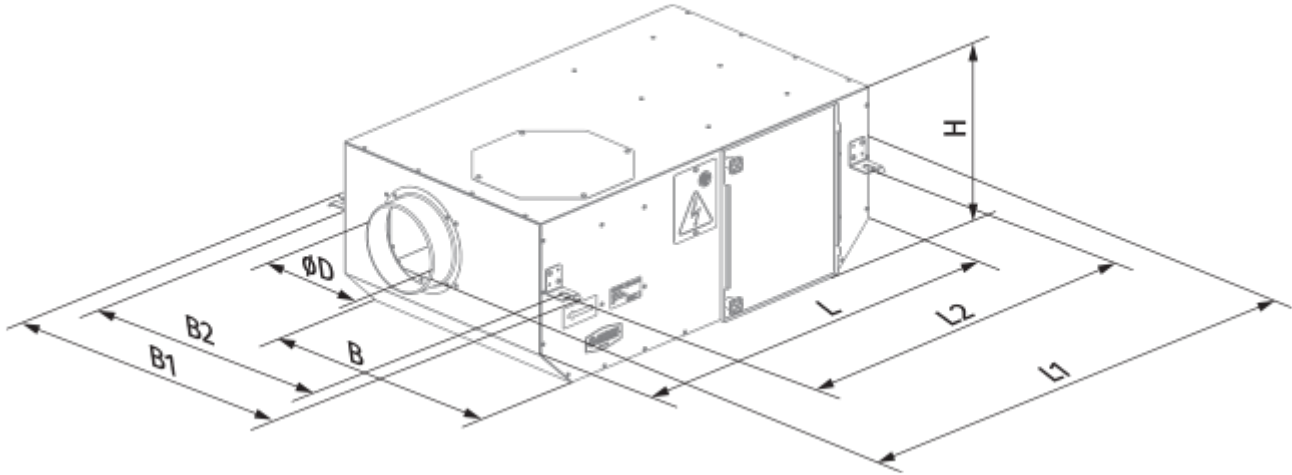


- Maximum airflow: 340
- Sound pressure level LpA at 3 m: 25
- Sound insulation
- Motor type: AC
- Impeller type: Centrifugal impeller with forward curved blades
- Casing material: Coated steel
- Installation in any position

	Unit of measurement	Iso Box-F 150 ES L V2	
Connected air duct size	mm	150	
Speed	-	2	
Phases	-	1	
Minimum supply voltage	V	230	
Maximum supply voltage	V	230	
Power supply frequency	Hz	50	
Rated power	W	44	52
Unit current	A	0.19	0.23
Maximum airflow	m ³ /h	230	340
rotation speed at 50hz	-	700	1200
Sound pressure level LpA at 3 m	dB(A)	15	25
Weight	kg	16.5	
Transported air temperature (max)	°C	40	
Transported air temperature (min)	°C	-25	
Ingress protection rating	-	IPX4	
Ingress protection rating of the drive	-	IP44	

Dimensions

Ø D	L	H	B	L1	B1	L2	B2
150	755	250	458	855	551	700	502



Accessories

Speed control switches

Name	Photo	Description
CDP-2/10		Multi-speed switch