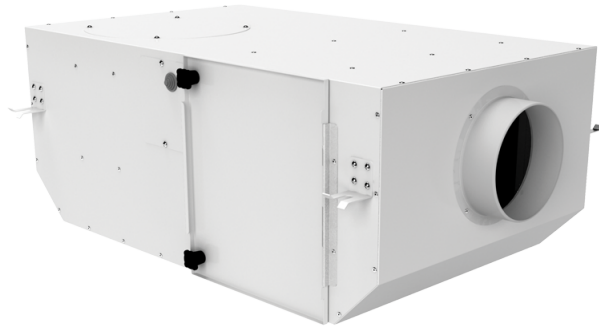


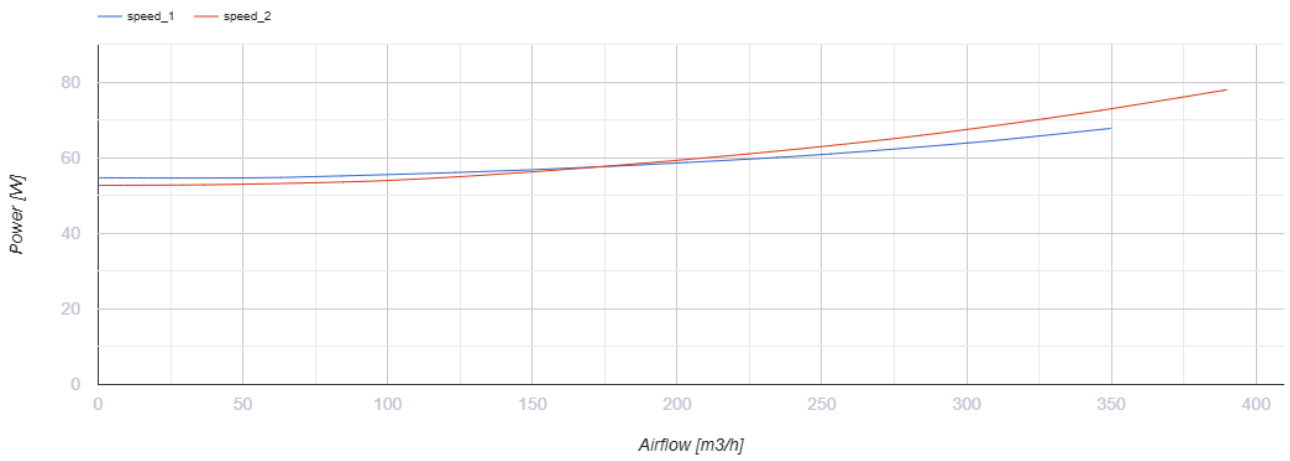
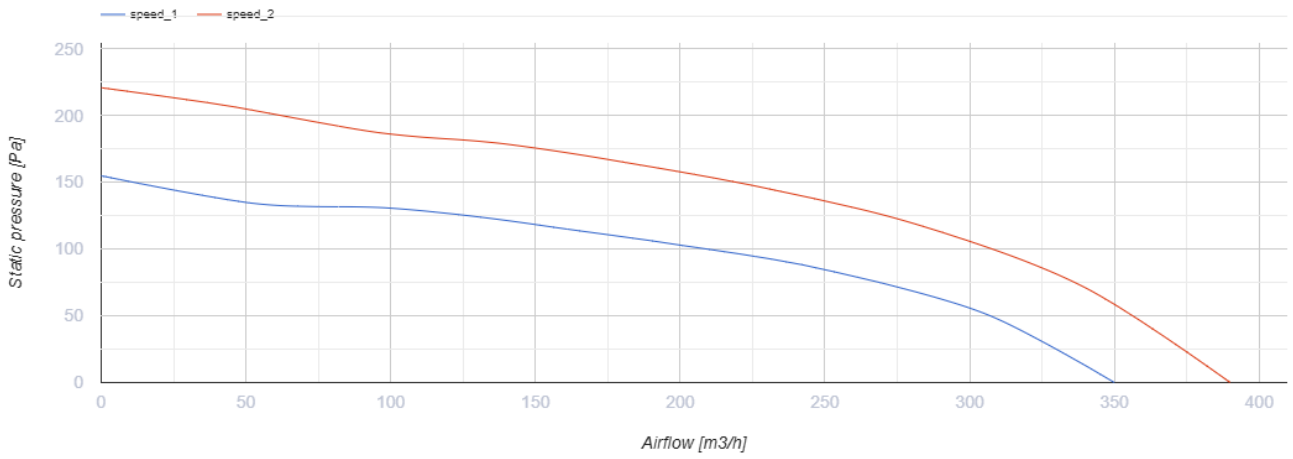
# Iso Box-F 150 ES L

Centrifugal inline fans with forward curved blades in sound-insulated casings with filters



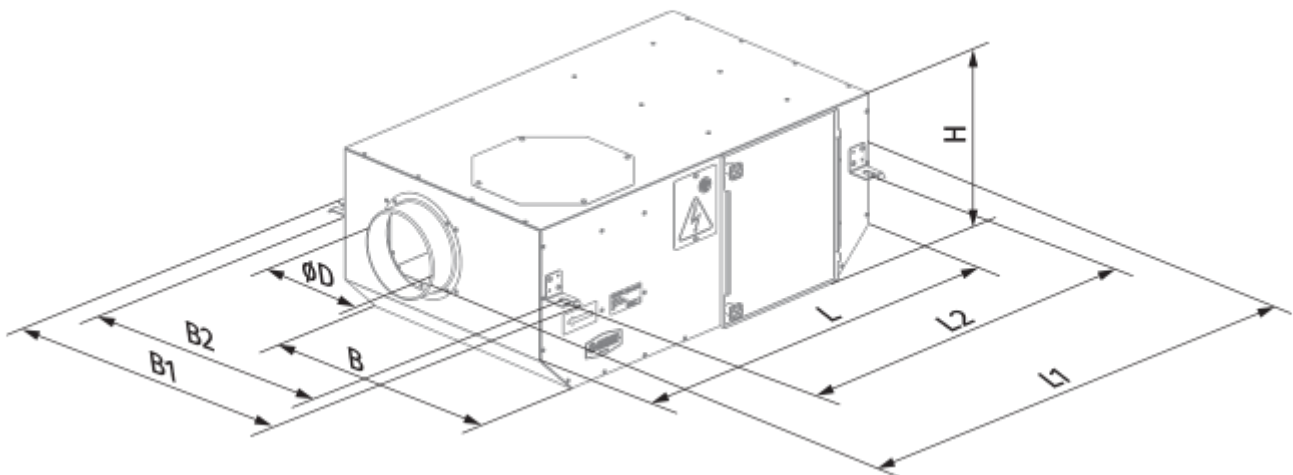
- Maximum airflow: 390
- Sound pressure level LpA at 3 m: 26
- Sound insulation
- Motor type: AC
- Impeller type: Centrifugal impeller with forward curved blades
- Casing material: Coated steel
- Installation in any position

	Unit of measurement	Iso Box-F 150 ES L	
Connected air duct size	mm	150	
Speed	-	2	
Phases	-	1	
Minimum supply voltage	V	230	
Maximum supply voltage	V	230	
Power supply frequency	Hz	50	60
Rated power	W	68	78
Unit current	A	0.3	0.34
Maximum airflow	m <sup>3</sup> /h	350	390
rotation speed at 50hz	-	1300	1475
Sound pressure level LpA at 3 m	dB(A)	25	26
Weight	kg	16.5	
Transported air temperature (max)	°C	40	
Transported air temperature (min)	°C	-25	
Ingress protection rating	-	IPX4	
Ingress protection rating of the drive	-	IP44	




## Dimensions

Ø D	L	H	B	L1	B1	L2	B2
150	755	250	458	855	551	700	502



## Accessories

### Other accessories

Name	Photo	Description
<a href="#">CDT E1.8</a>		Thyristor speed controller