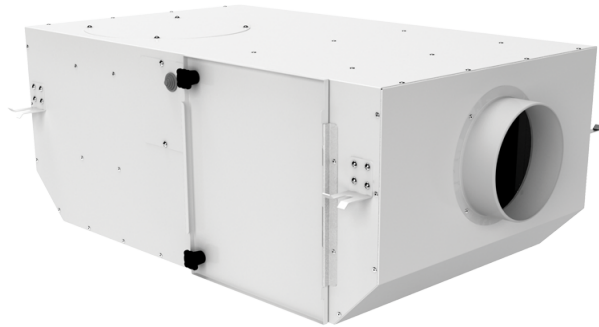


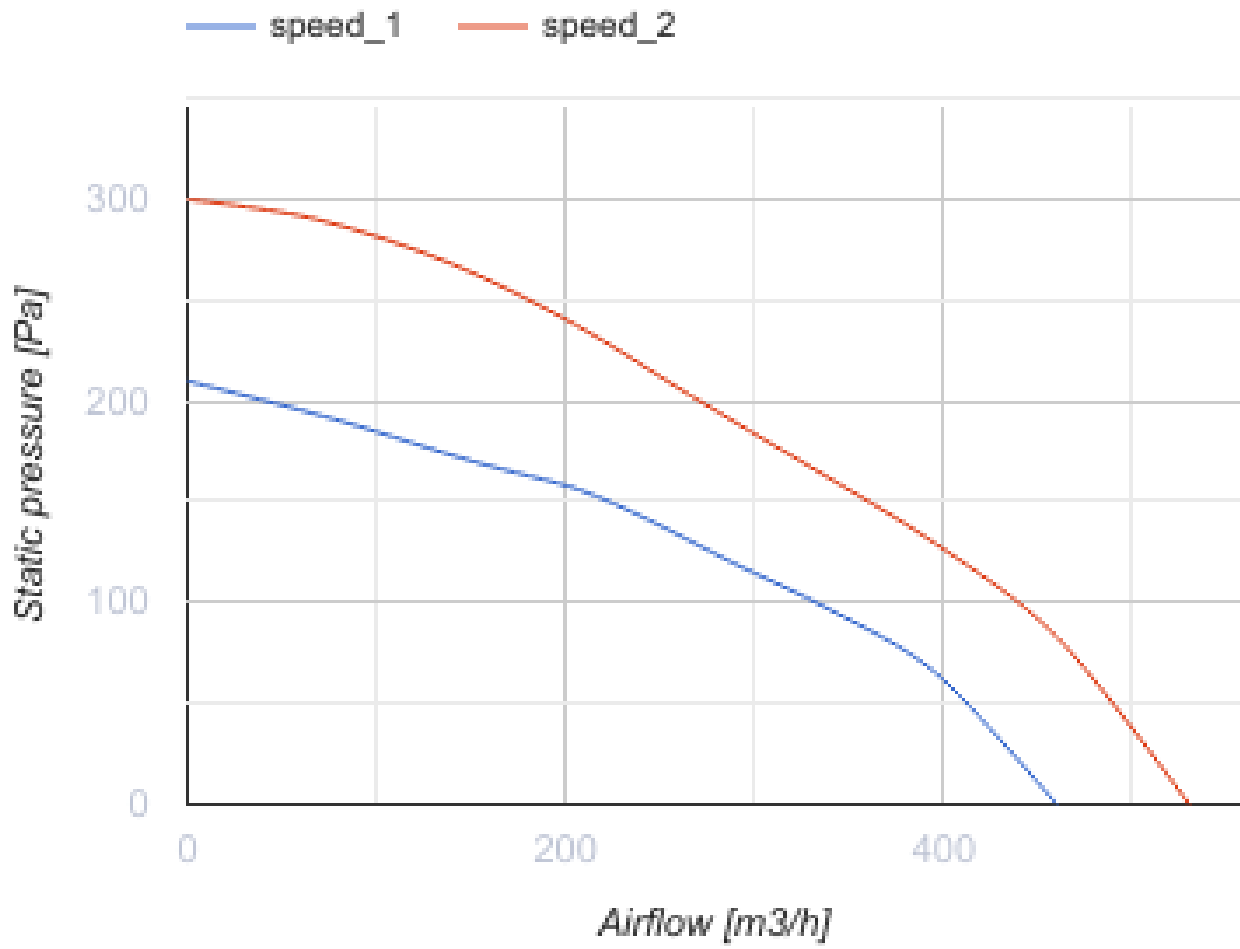
# Iso Box-F 150 ES

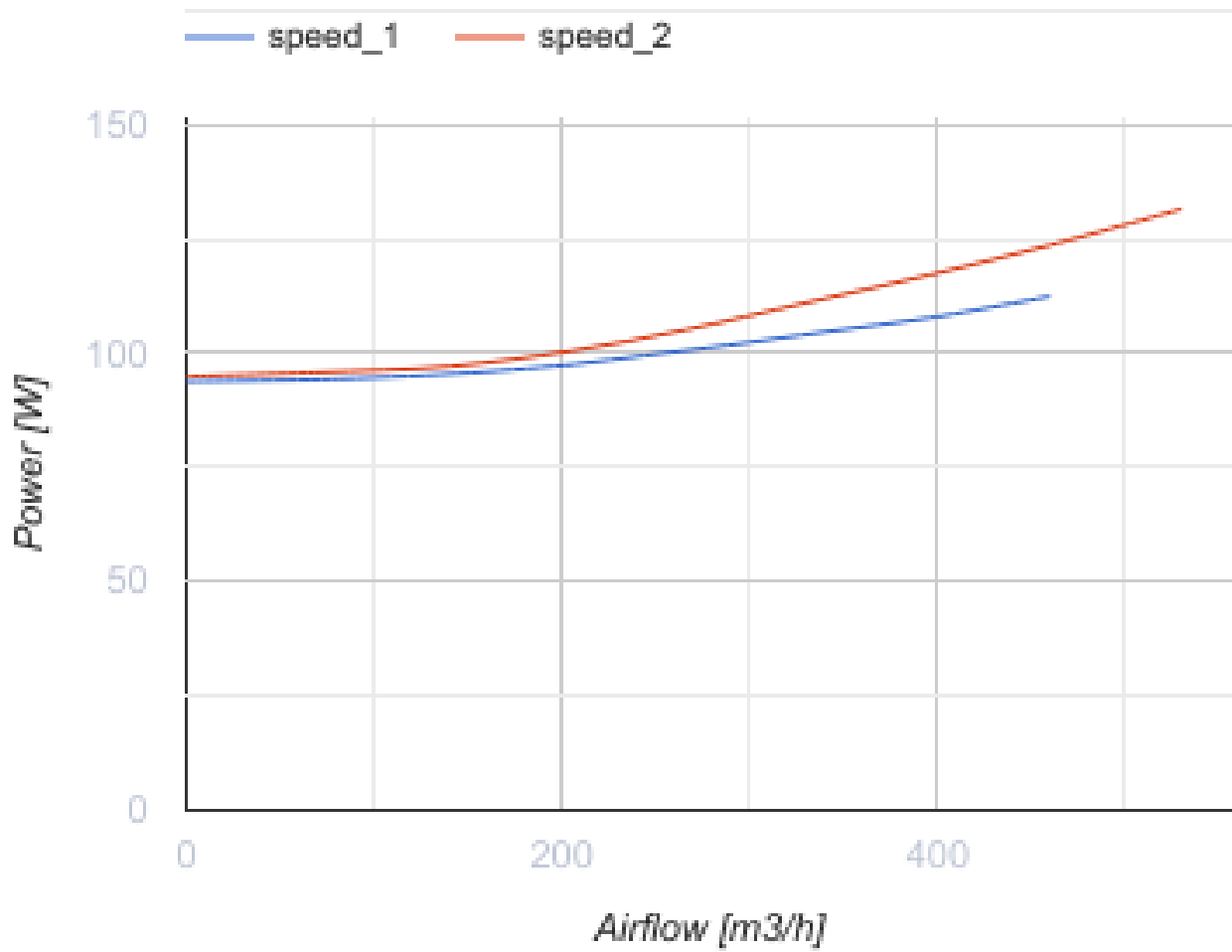
Sound-insulated inline centrifugal fans with electrostatic filters



- Maximum airflow: 530
- Sound pressure level LpA at 3 m: 27
- Sound insulation
- Motor type: AC
- Impeller type: Centrifugal impeller with forward curved blades
- Casing material: Coated steel
- Installation in any position

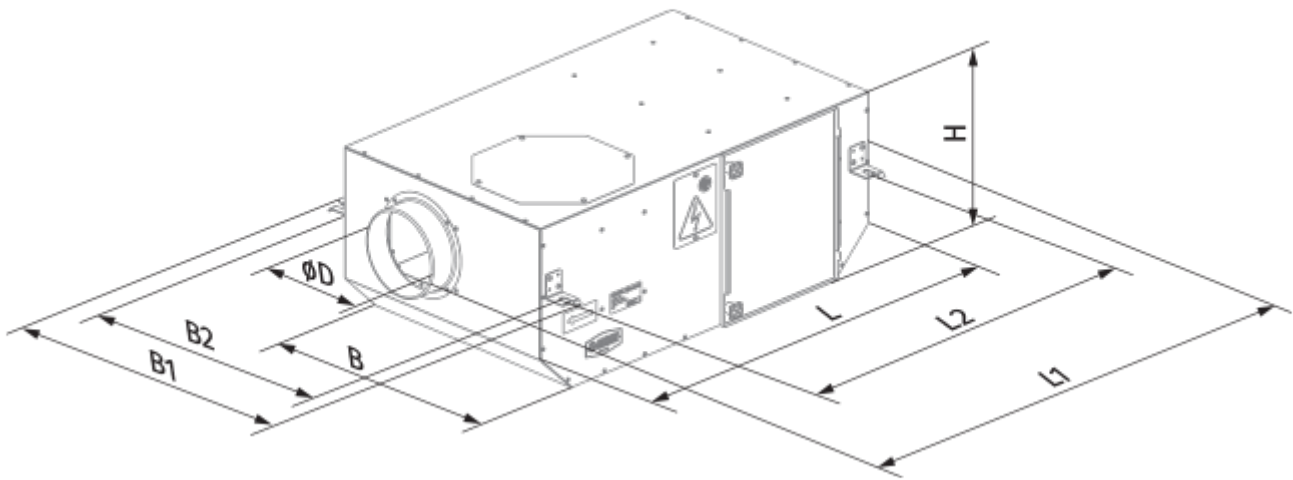
	Unit of measurement	Iso Box-F 150 ES	
Connected air duct size	mm	150	
Speed	-	2	
Phases	-	1	
Minimum supply voltage	V	230	
Maximum supply voltage	V	230	
Power supply frequency	Hz	50	60
Rated power	W	112	131
Unit current	A	0.51	0.57
Maximum airflow	m <sup>3</sup> /h	460	530
rotation speed at 50hz	-	1250	1430
Sound pressure level LpA at 3 m	dB(A)	25	27
Weight	kg	18.5	
Transported air temperature (max)	°C	40	
Transported air temperature (min)	°C	-25	
Ingress protection rating	-	IPX4	
Ingress protection rating of the drive	-	IP44	






## Dimensions

∅ D	L	H	B	L1	B1	L2	B2
150	785	300	458	855	551	730	502



## Accessories

### Thyristor speed controllers

Name	Photo	Description
<a href="#">CDT E1.8</a>		Thyristor speed controller