

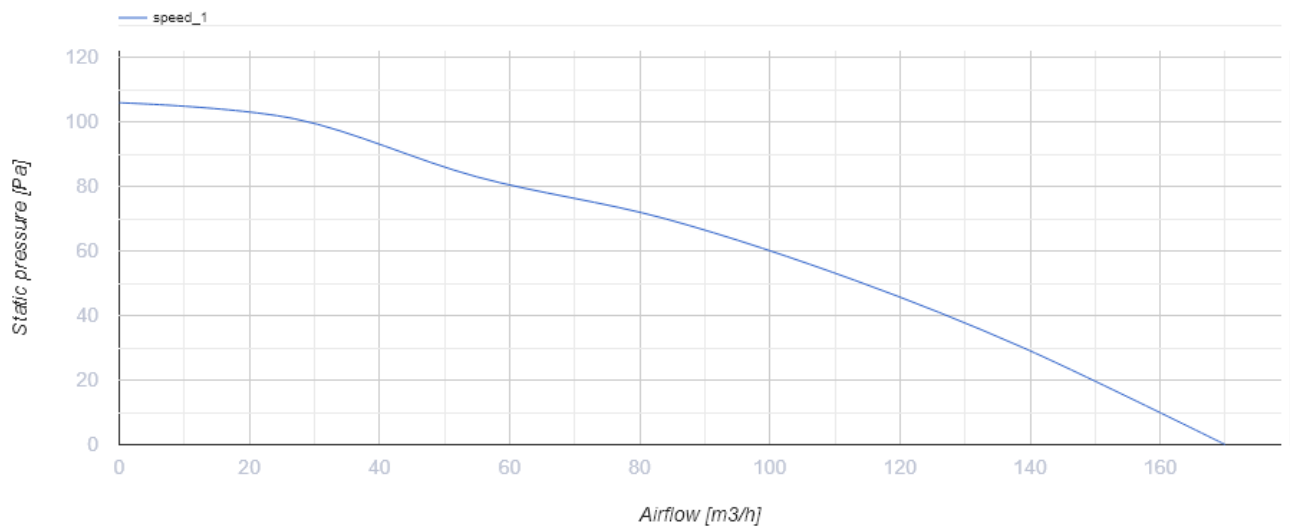
Iso Box-F 100 G4/H13

Centrifugal inline fans with forward curved blades in sound-insulated casings with filters



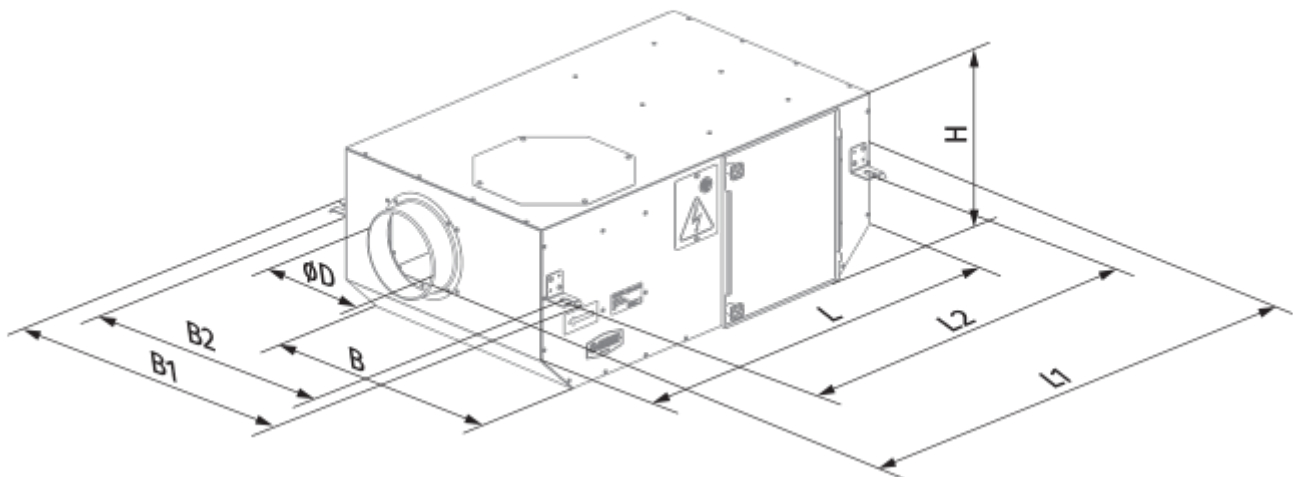
- Maximum airflow: 190
- Sound pressure level LpA at 3 m: 23
- Sound insulation
- Motor type: AC
- Impeller type: Centrifugal impeller with backward curved blades
- Casing material: Coated steel
- Installation in any position

| | Unit of measurement | Iso Box-F 100 G4/H13 |
|--|---------------------|----------------------|
| Connected air duct size | mm | 100 |
| Speed | - | 1 |
| Phases | - | 1 |
| Minimum supply voltage | V | 230 |
| Maximum supply voltage | V | 230 |
| Power supply frequency | Hz | 50 |
| Rated power | W | 53 |
| Unit current | A | 0.27 |
| Maximum airflow | m ³ /h | 190 |
| Sound pressure level LpA at 3 m | dB(A) | 23 |
| Weight | kg | 0 |
| Transported air temperature (max) | °C | 40 |
| Transported air temperature (min) | °C | -25 |
| Ingress protection rating | - | IPX4 |
| Ingress protection rating of the drive | - | IP44 |

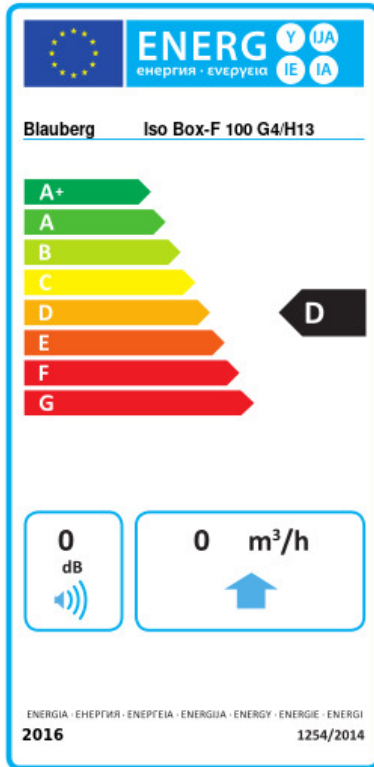


Dimensions

| Ø D | L | H | B | L1 | B1 | L2 | |
|-----|-----|-----|-----|-----|-----|-----|-----|
| 100 | 705 | 250 | 415 | 805 | 508 | 650 | 458 |



Ecodesign



| | | | |
|---|----------------------|---------|------|
| Trademark | Blaubeerg | | |
| Model | Iso Box-F 100 G4/H13 | | |
| Specific energy consumption (SEC) (kWh/(m ² /a)) | Cold | Average | Warm |
| | 0 A+ | 0 D | 0 F |
| Type of ventilation unit | Unidirectional | | |
| Type of drive installed | Multi-speed | | |
| Type of heat recovery system | None | | |
| Maximum flow rate (m ³ /h) | 0 | | |
| Electric power input (W) | 0 | | |
| Reference flow rate (m ³ /s) | 0 | | |
| Reference pressure difference (Pa) | 0 | | |
| Specific power input (SPI) (W/(m ³ /h)) | 0 | | |
| Control typology | Local demand control | | |
| Maximum external leakage rates (%) | 0 | | |
| Declared typology | RVU UVU | | |
| Sound power level (dB(A)) | 0 | | |
| The annual electricity consumption (AEC) (kWh/a) | Cold | Average | Warm |
| | 0 | 0 | 0 |
| The annual heating saved (AHS) (kWh/a) | Cold | Average | Warm |
| | 0 | 0 | 0 |

Accessories

Other accessories

| Name | Photo | Description |
|--------------------------|-------|----------------------------|
| CDT E1.8 | | Thyristor speed controller |
| CDP-2/10 | | Multi-speed switch |