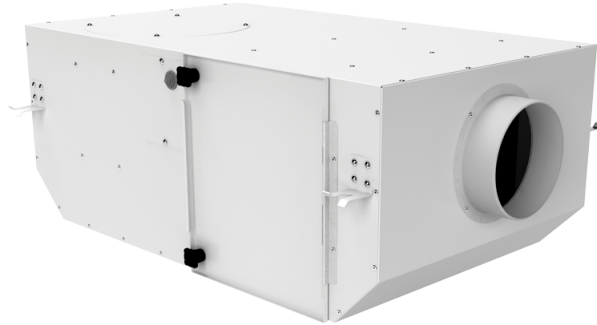


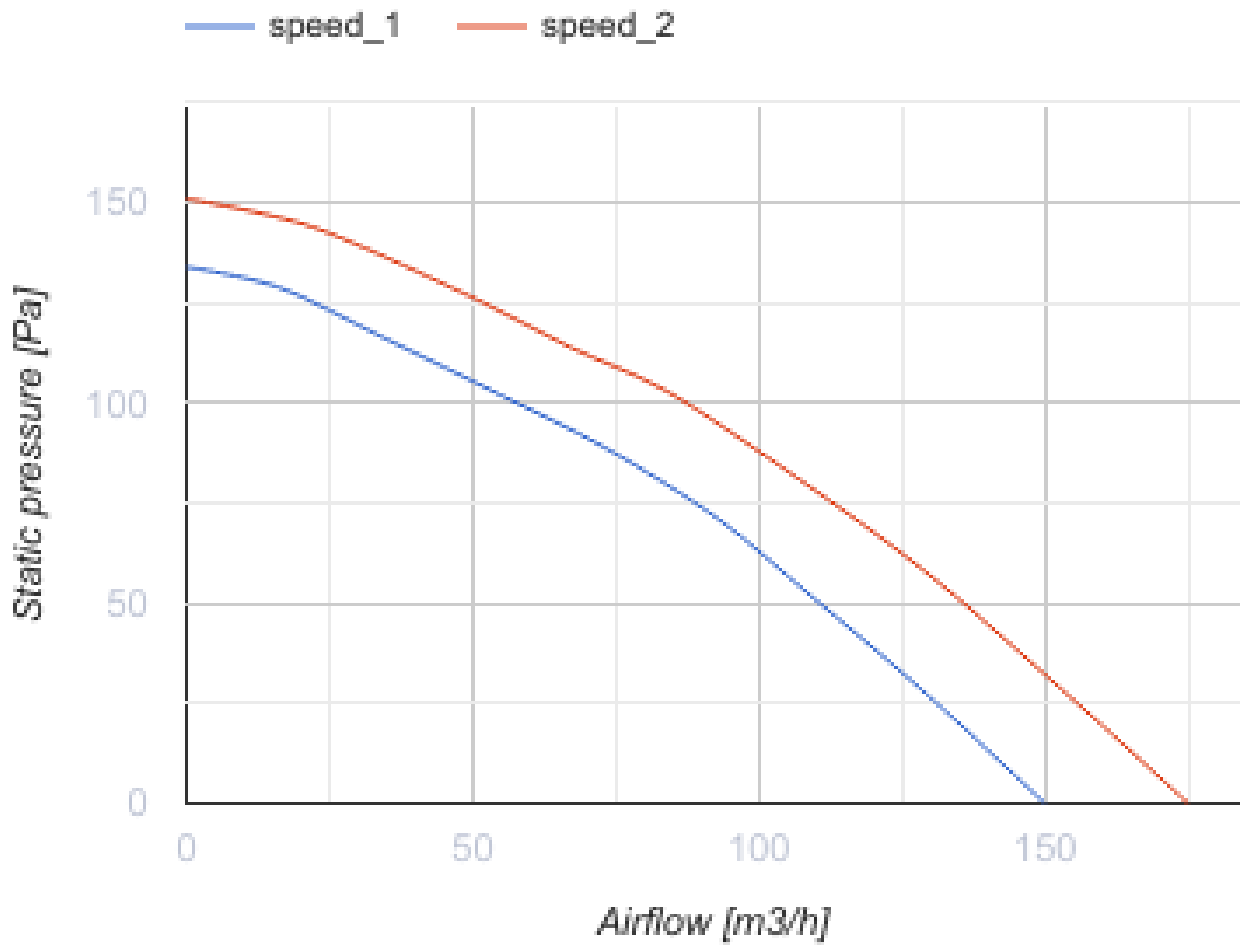
Iso Box-F 100 G4/F8 V2

Sound-insulated inline centrifugal fans with filters



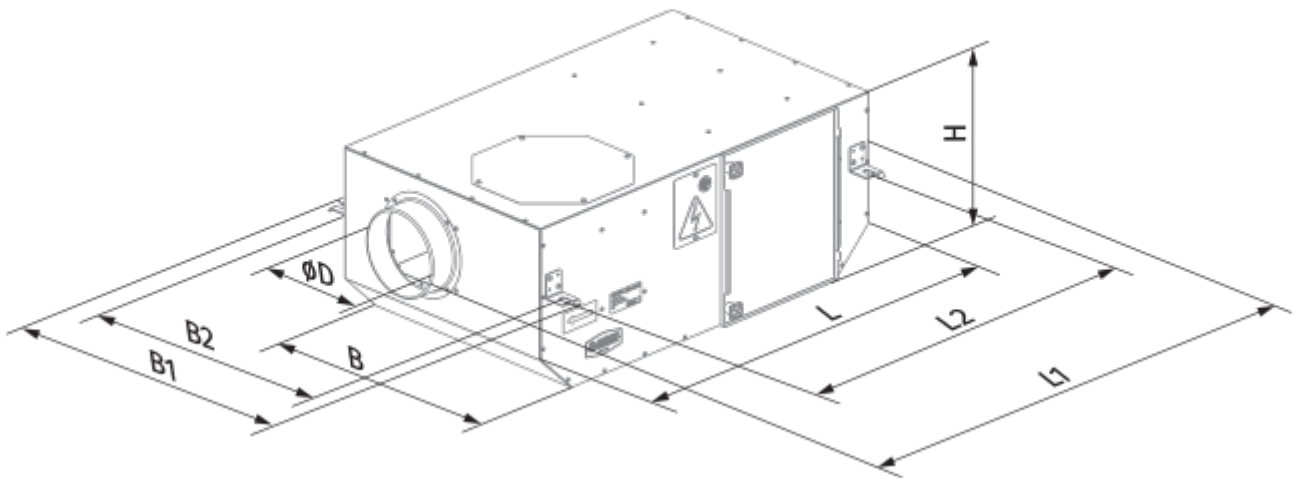
- Maximum airflow: 175
- Sound pressure level LpA at 3 m: 23
- Sound insulation
- Motor type: AC
- Impeller type: Centrifugal impeller with backward curved blades
- Casing material: Coated steel
- Installation in any position

	Unit of measurement	Iso Box-F 100 G4/F8 V2	
Connected air duct size	mm	100	
Speed	-	2	
Minimum supply voltage	V	230	
Maximum supply voltage	V	230	
Power supply frequency	Hz	50	
Rated power	W	33	41
Unit current	A	0.15	0.19
Maximum airflow	m ³ /h	150	175
Sound pressure level LpA at 3 m	dB(A)	14	23
Weight	kg	14.16	
Transported air temperature (max)	°C	40	
Transported air temperature (min)	°C	-25	
Ingress protection rating	-	IPX4	
Ingress protection rating of the drive	-	IP44	



Dimensions

ØD	L	H	B	L1	B1	L2	B2
100	705	250	415	805	508	650	458



[CDP-2/10](#)



Multi-speed switch