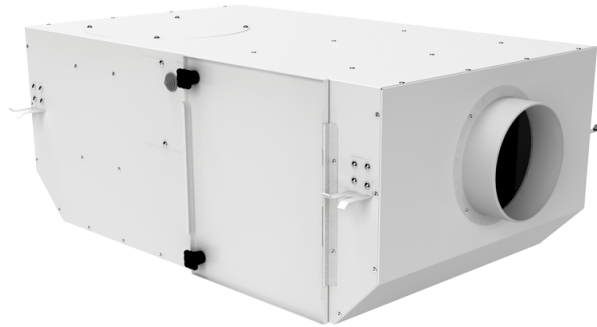


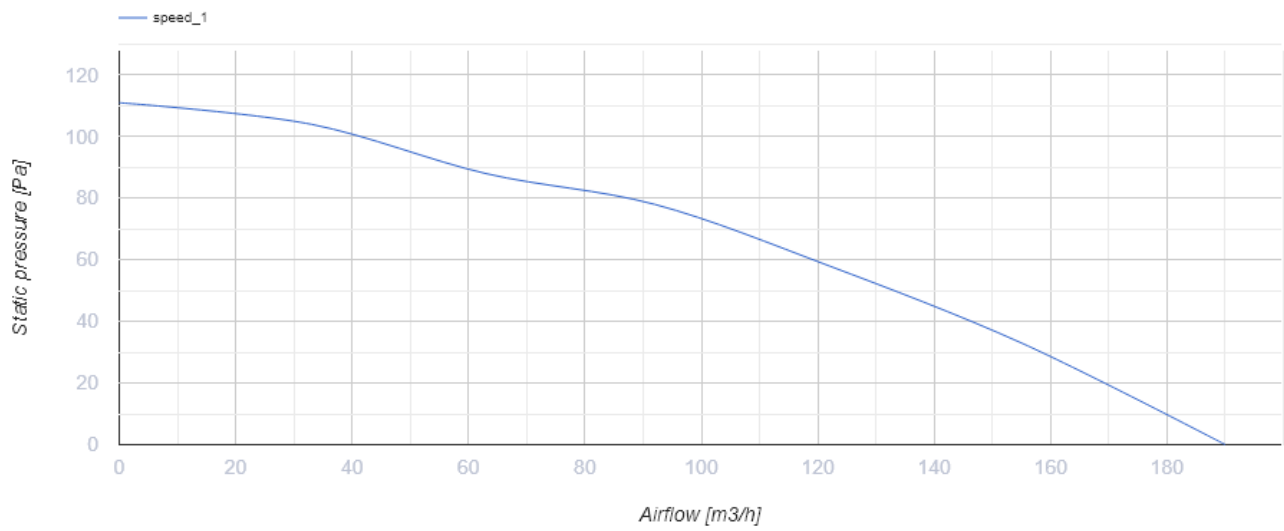
Iso Box-F 100 G4

Centrifugal inline fans with forward curved blades in sound-insulated casings with filters



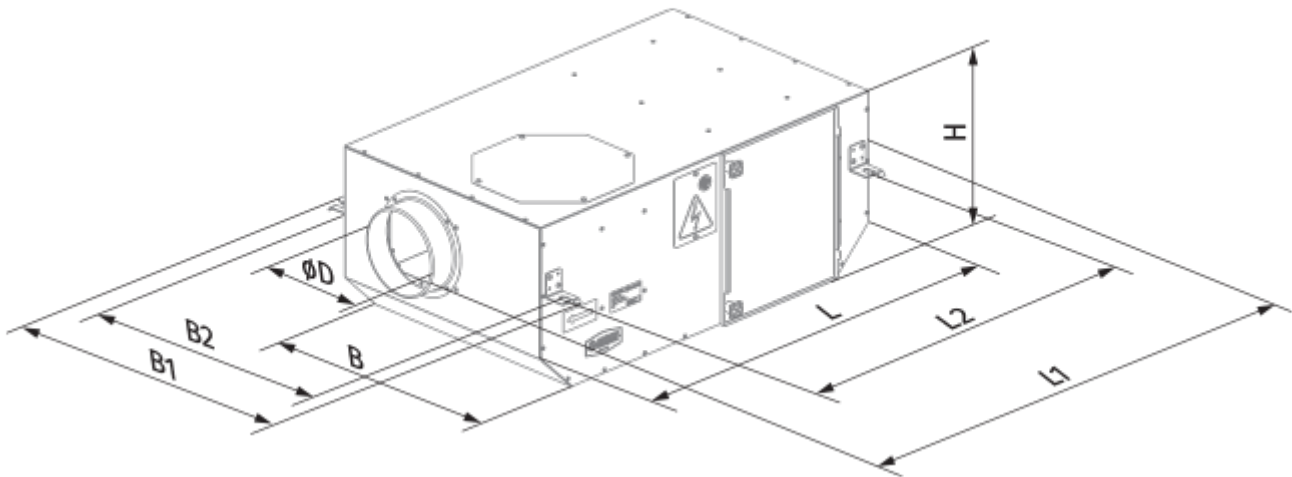
- Maximum airflow: 190
- Sound pressure level LpA at 3 m: 23
- Sound insulation
- Motor type: AC
- Impeller type: Centrifugal impeller with backward curved blades
- Casing material: Coated steel
- Installation in any position

	Unit of measurement	Iso Box-F 100 G4
Connected air duct size	mm	100
Speed	-	1
Phases	-	1
Minimum supply voltage	V	230
Maximum supply voltage	V	230
Power supply frequency	Hz	50
Rated power	W	53
Unit current	A	0.27
Maximum airflow	m ³ /h	190
Sound pressure level LpA at 3 m	dB(A)	23
Weight	kg	0
Transported air temperature (max)	°C	40
Transported air temperature (min)	°C	-25
Ingress protection rating	-	IPX4
Ingress protection rating of the drive	-	IP44

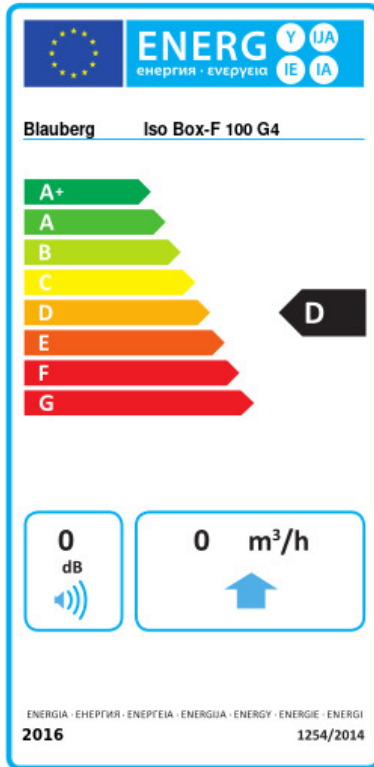


Dimensions

Ø D	L	H	B	L1	B1	L2	
100	705	250	415	805	508	650	458



Ecodesign



Trademark	Blaubeerg		
Model	Iso Box-F 100 G4		
Specific energy consumption (SEC) (kWh/(m ² /a))	Cold	Average	Warm
	0 A+	0 D	0 F
Type of ventilation unit	Unidirectional		
Type of drive installed	Multi-speed		
Type of heat recovery system	None		
Maximum flow rate (m ³ /h)	0		
Electric power input (W)	0		
Reference flow rate (m ³ /s)	0		
Reference pressure difference (Pa)	0		
Specific power input (SPI) (W/(m ³ /h))	0		
Control typology	Local demand control		
Maximum external leakage rates (%)	0		
Declared typology	RVU UVU		
Sound power level (dB(A))	0		
The annual electricity consumption (AEC) (kWh/a)	Cold	Average	Warm
	0	0	0
The annual heating saved (AHS) (kWh/a)	Cold	Average	Warm
	0	0	0

Accessories

Other accessories

Name	Photo	Description
CDT E1.8		Thyristor speed controller
CDP-2/10		Multi-speed switch