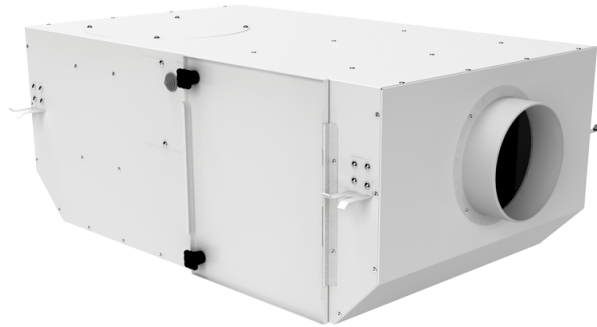


Iso Box-F 100 ES V2

Centrifugal inline fans with forward curved blades in sound-insulated casings with filters

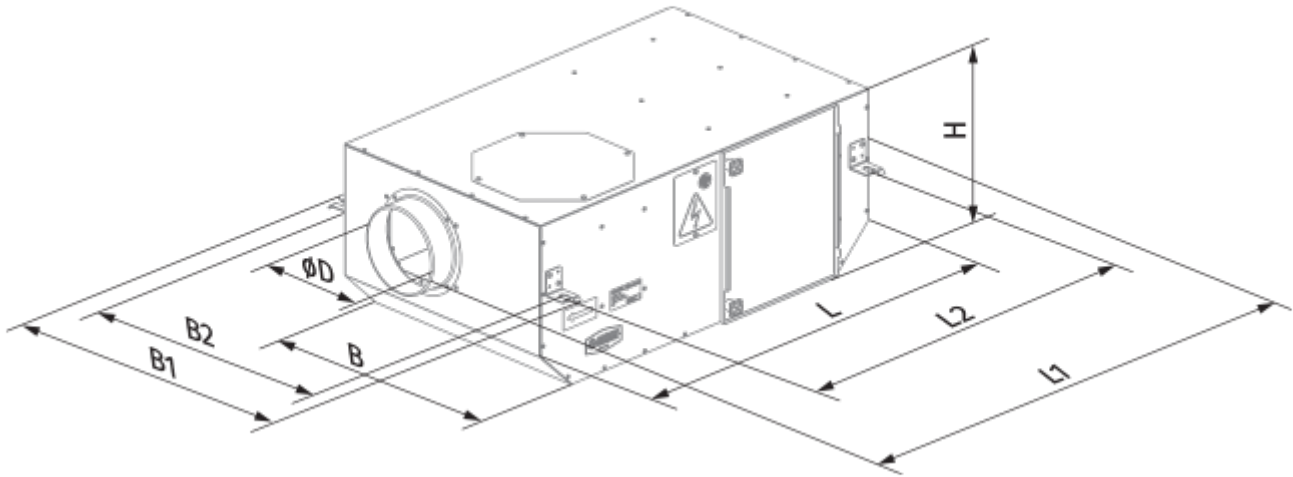


- Maximum airflow: 190
- Sound pressure level LpA at 3 m: 23
- Sound insulation
- Motor type: AC
- Impeller type: Centrifugal impeller with forward curved blades
- Casing material: Coated steel
- Installation in any position

| | Unit of measurement | Iso Box-F 100 ES V2 | |
|--|---------------------|---------------------|------|
| Connected air duct size | mm | 100 | |
| Speed | - | 2 | |
| Phases | - | 1 | |
| Minimum supply voltage | V | 230 | |
| Maximum supply voltage | V | 230 | |
| Power supply frequency | Hz | 50 | |
| Rated power | W | 34 | 42 |
| Unit current | A | 0.15 | 0.19 |
| Maximum airflow | m ³ /h | 160 | 190 |
| rotation speed at 50hz | - | 700 | 1200 |
| Sound pressure level LpA at 3 m | dB(A) | 14 | 23 |
| Weight | kg | 16.5 | |
| Transported air temperature (max) | °C | 40 | |
| Transported air temperature (min) | °C | -25 | |
| Ingress protection rating | - | IPX4 | |
| Ingress protection rating of the drive | - | IP44 | |


Dimensions

| Ø D | L | H | B | L1 | B1 | L2 | B2 |
|-----|-----|-----|-----|-----|-----|-----|-----|
| 100 | 755 | 250 | 458 | 855 | 551 | 700 | 502 |



Accessories

Other accessories

| Name | Photo | Description |
|--------------------------|---|--------------------|
| CDP-2/10 |  | Multi-speed switch |