

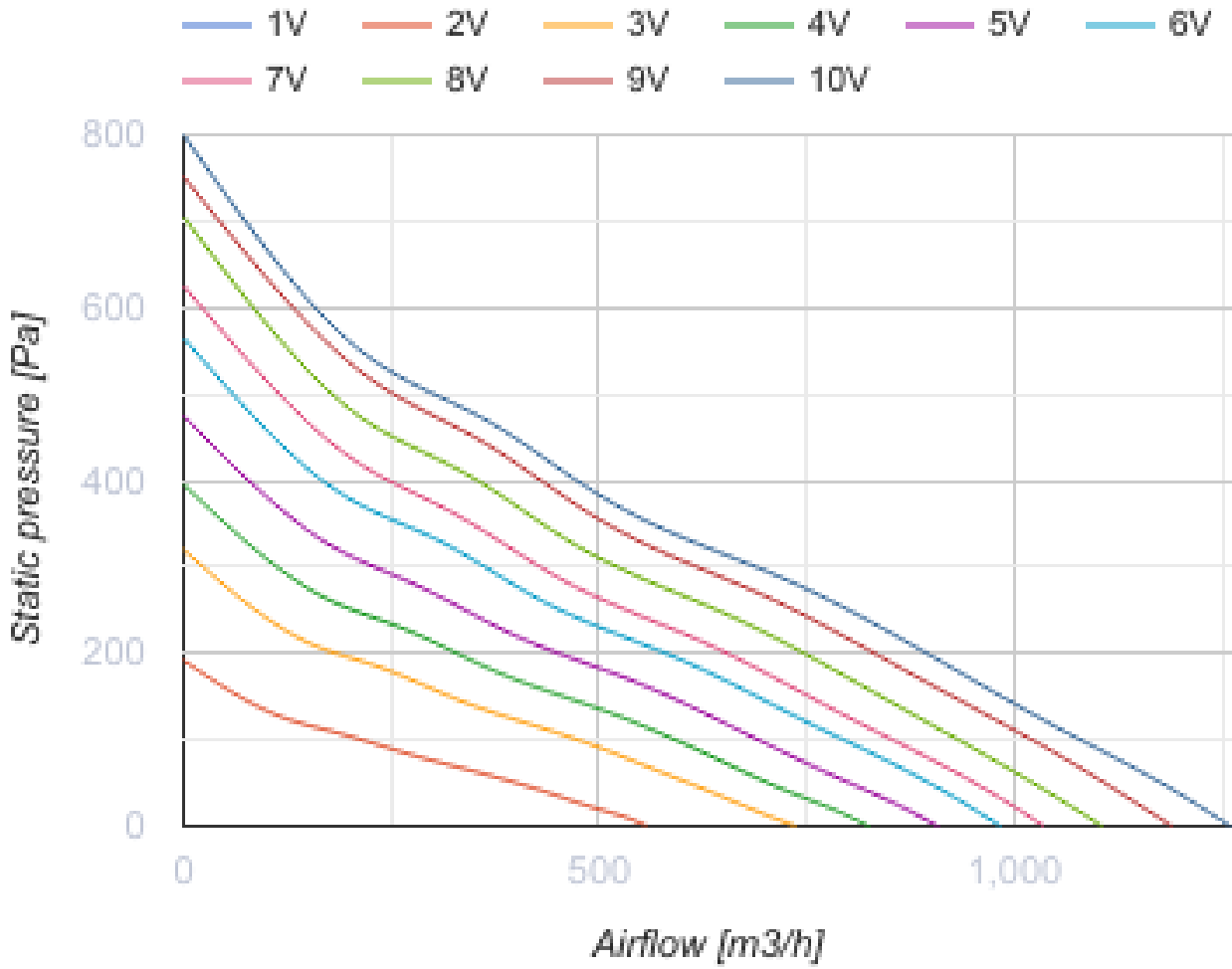
Iso-B EC 315

Sound-insulated inline centrifugal fans



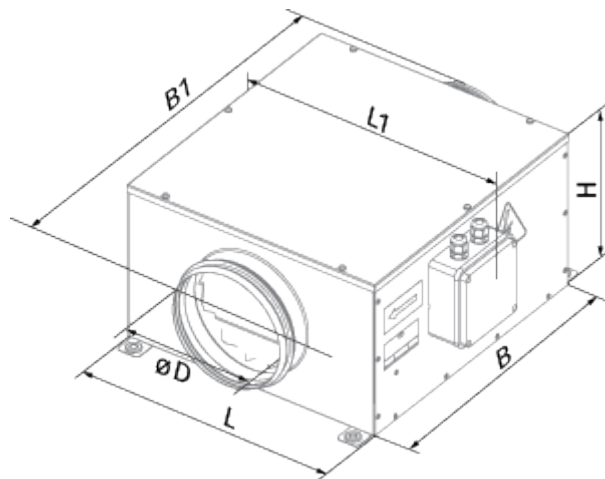
- Maximum airflow: 1260
- Sound pressure level LpA at 3 m: 42
- Sound insulation
- Motor type: EC
- Impeller type: Centrifugal backward curved blades
- Casing material: Galvanized steel
- Installation in any position

	Unit of measurement	Iso-B EC 315
Connected air duct size	mm	315
Speed	-	1
Minimum supply voltage	V	230
Maximum supply voltage	V	230
Power supply frequency	Hz	50/60
Rated power	W	164.3
Unit current	A	1.35
Maximum airflow	m ³ /h	1260
Sound pressure level LpA at 3 m	dB(A)	42
Transported air temperature (max)	°C	60
Transported air temperature (min)	°C	-25
Ingress protection rating	-	IPX4
Ingress protection rating of the drive	-	IP55



Dimensions

ØD	L	L1	B	B1	H
314	435	560	545	650	405




Ecodesign

Trademark	Blauberg
Model	Iso-B EC 315
Type of ventilation unit	Unidirectional
Type of drive installed	Integrated VSD
Type of heat recovery system	None
Nominal flow rate (m ³ /s)	0.202
Nominal external pressure (Pa)	285
Maximum external leakage rates (%)	2.7
Static efficiency (%)	40.8
Declared typology	NRVU UVU
Sound power level (dB(A))	62
Effective electric power input (kW)	0.164

Accessories

EC motors regulators

Name	Photo	Description
CDT E/0-10		Speed control for EC motors