

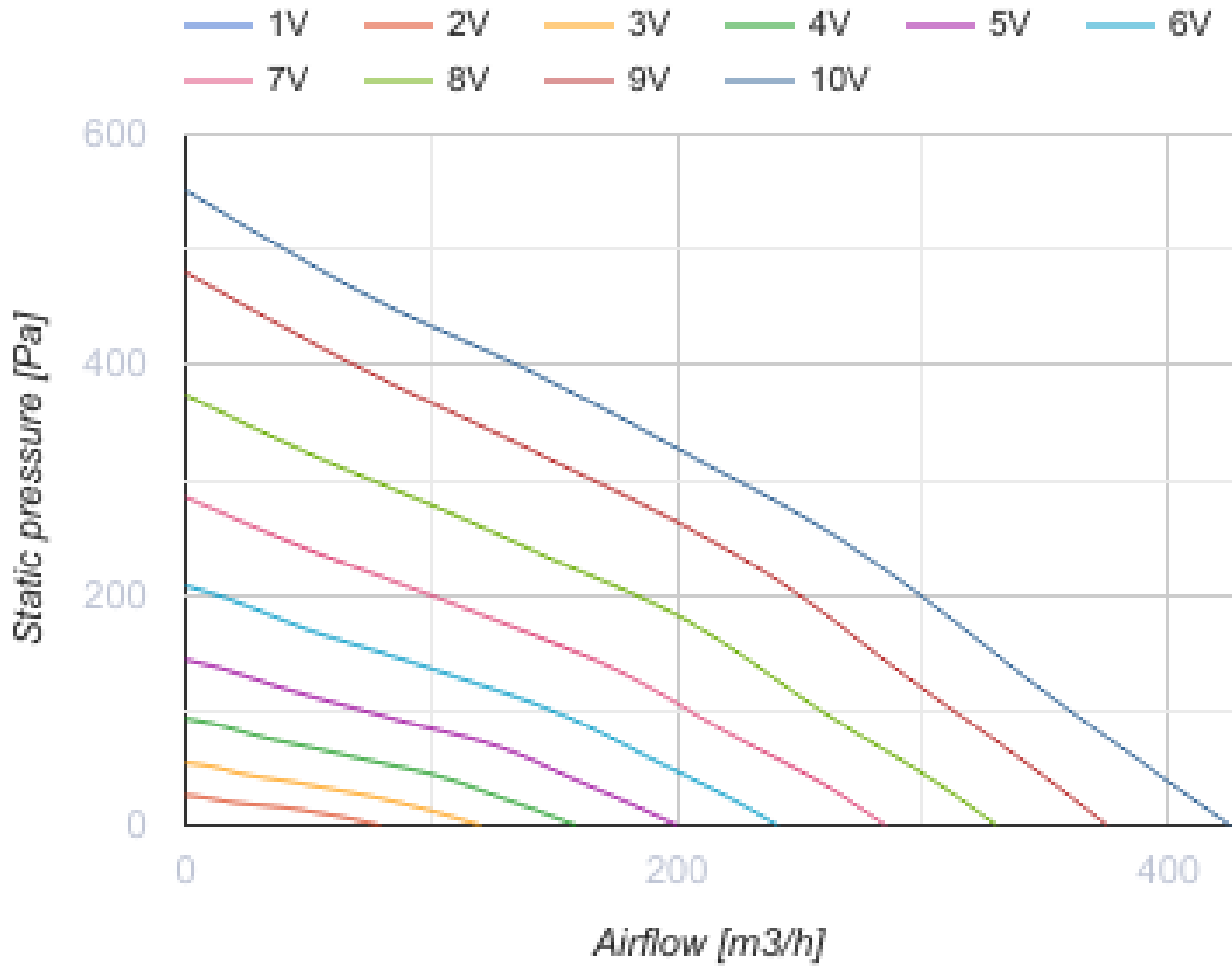
## Iso-B EC 150

Sound-insulated inline centrifugal fans



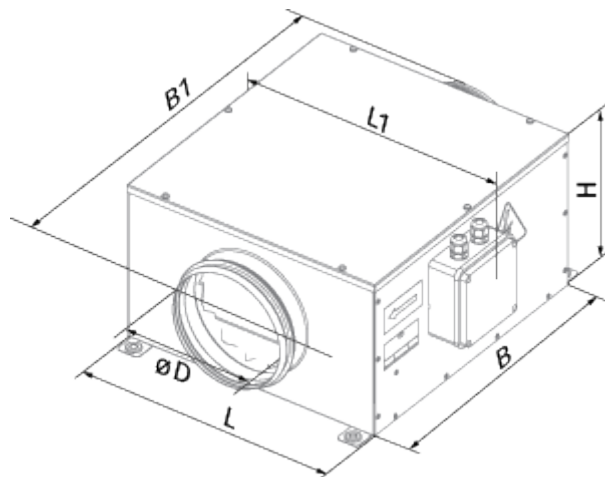
- Maximum airflow: 425
- Sound pressure level LpA at 3 m: 35
- Sound insulation
- Motor type: EC
- Impeller type: Centrifugal backward curved blades
- Casing material: Galvanized steel
- Installation in any position

|  | Unit of measurement | Iso-B EC 150 |
|--|---------------------|--------------|
| Connected air duct size                | mm                  | 150          |
| Speed                                  | -                   | 1            |
| Minimum supply voltage                 | V                   | 230          |
| Maximum supply voltage                 | V                   | 230          |
| Power supply frequency                 | Hz                  | 50/60        |
| Rated power                            | W                   | 94.8         |
| Unit current                           | A                   | 0.77         |
| Maximum airflow                        | m <sup>3</sup> /h   | 425          |
| Sound pressure level LpA at 3 m        | dB(A)               | 35           |
| Transported air temperature (max)      | °C                  | 60           |
| Transported air temperature (min)      | °C                  | -25          |
| Ingress protection rating              | -                   | IPX4         |
| Ingress protection rating of the drive | -                   | IP55         |

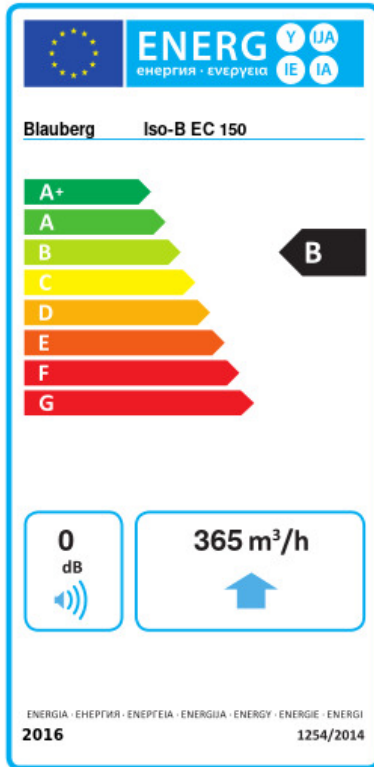


### Dimensions

| ØD  | L   | L1  | B   | B1  | H   |
|-----|-----|-----|-----|-----|-----|
| 149 | 325 | 405 | 385 | 447 | 220 |



## Ecodesign



|   |                      |    |         |   |       |   |
|---|----------------------|----|---------|---|-------|---|
| Trademark   | Blaubeerg            |    |         |   |       |   |
| Model   | Iso-B EC 150         |    |         |   |       |   |
| Specific energy consumption (SEC) (kWh/(m <sup>2</sup> /a)) | Cold                 |    | Average |   | Warm  |   |
|   | -53.5                | A+ | -26.4   | B | -10.9 | E |
| Type of ventilation unit                                    | Unidirectional       |    |         |   |       |   |
| Type of drive installed                                     | Variable speed       |    |         |   |       |   |
| Type of heat recovery system                                | None                 |    |         |   |       |   |
| Maximum flow rate (m <sup>3</sup> /h)                       | 365                  |    |         |   |       |   |
| Electric power input (W)                                    | 94.5                 |    |         |   |       |   |
| Reference flow rate (m <sup>3</sup> /s)                     | 0.071                |    |         |   |       |   |
| Reference pressure difference (Pa)                          | 50                   |    |         |   |       |   |
| Specific power input (SPI) (W/(m <sup>3</sup> /h))          | 0.143                |    |         |   |       |   |
| Control typology  | Local demand control |    |         |   |       |   |
| Maximum external leakage rates (%)                          | 2.7                  |    |         |   |       |   |
| Declared typology   | RVU UVU              |    |         |   |       |   |
| The annual electricity consumption (AEC) (kWh/a)            | Cold                 |    | Average |   | Warm  |   |
|   | 76                   |    | 76      |   | 76    |   |
| The annual heating saved (AHS) (kWh/a)                      | Cold                 |    | Average |   | Warm  |   |
|   | 5536                 |    | 2830    |   | 1280  |   |

## Accessories

### Other accessories

| Name                       | Photo | Description                 |
|----------------------------|-------|-----------------------------|
| <a href="#">CDT E/0-10</a> |       | Speed control for EC motors |