

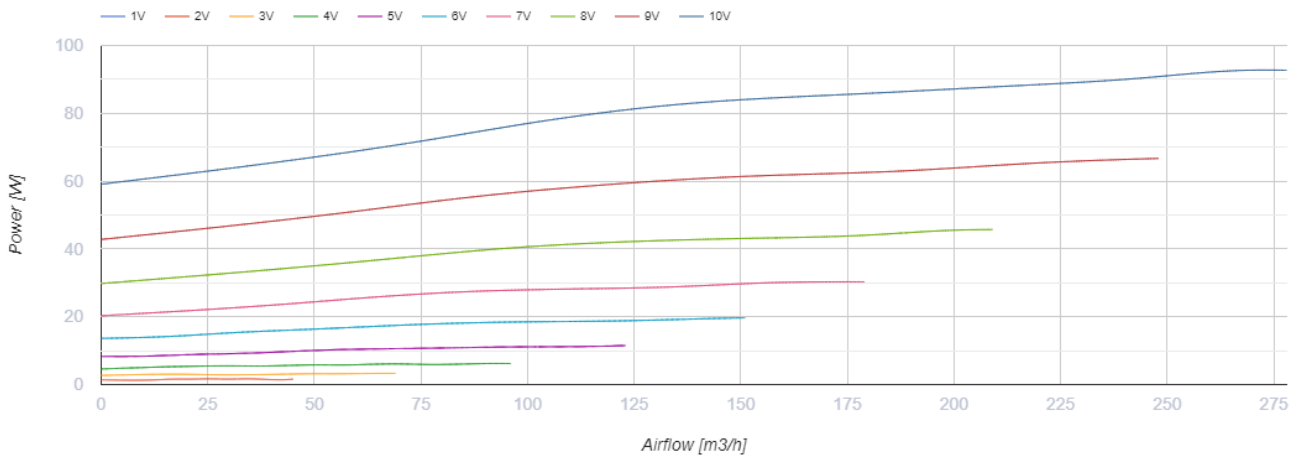
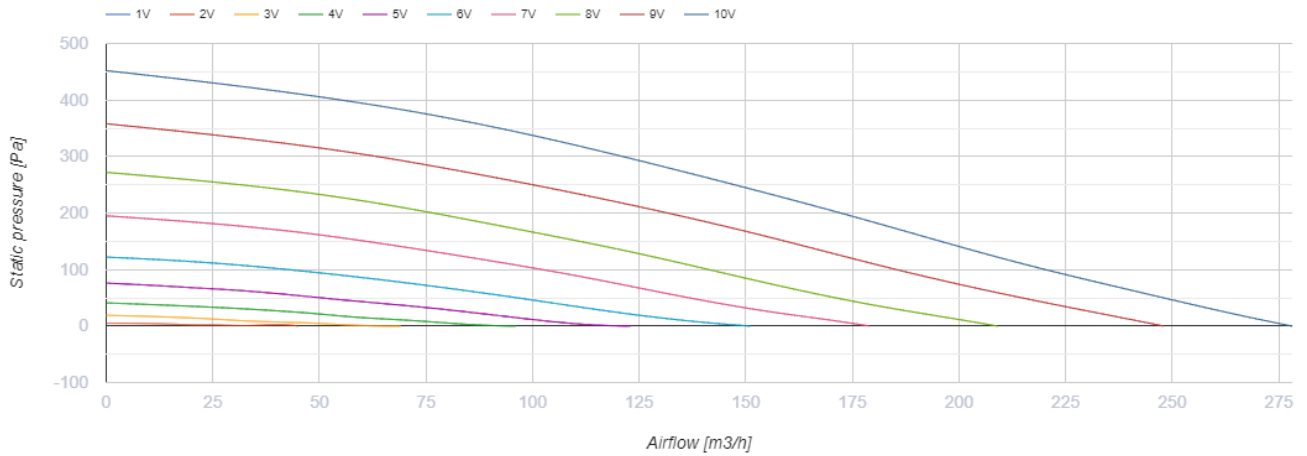
Iso-B EC 100

Sound-insulated inline centrifugal fans



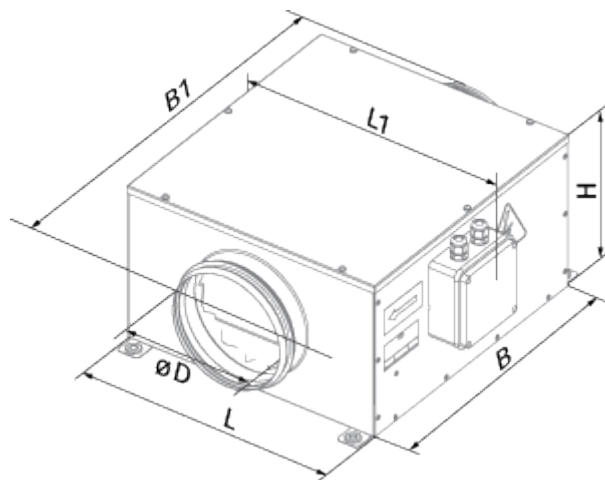
- Maximum airflow: 278
- Sound pressure level LpA at 3 m: 32
- Sound insulation
- Motor type: EC
- Impeller type: Centrifugal backward curved blades
- Casing material: Galvanized steel
- Installation in any position

	Unit of measurement	Iso-B EC 100
Connected air duct size	mm	100
Speed	-	1
Minimum supply voltage	V	230
Maximum supply voltage	V	230
Power supply frequency	Hz	50/60
Rated power	W	92.7
Unit current	A	0.75
Maximum airflow	m ³ /h	278
Sound pressure level LpA at 3 m	dB(A)	32
Transported air temperature (max)	°C	60
Transported air temperature (min)	°C	-25
Ingress protection rating	-	IPX4
Ingress protection rating of the drive	-	IP55

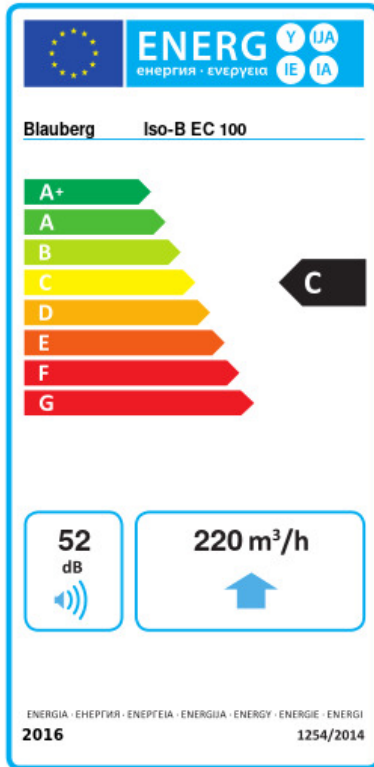


Dimensions

ØD	L	L1	B	B1	H
99	325	375	355	447	200



Ecodesign



Trademark	Blaubeerg					
Model	Iso-B EC 100					
Specific energy consumption (SEC) (kWh/(m ² /a))	Cold		Average		Warm	
	-51.7	A+	-24.6	C	-9.1	F
Type of ventilation unit	Unidirectional					
Type of drive installed	Variable speed					
Type of heat recovery system	None					
Maximum flow rate (m ³ /h)	220					
Electric power input (W)	88.1					
Reference flow rate (m ³ /s)	0.043					
Reference pressure difference (Pa)	50					
Specific power input (SPI) (W/(m ³ /h))	0.281					
Control typology	Local demand control					
Maximum external leakage rates (%)	2.7					
Declared typology	RVU UVU					
Sound power level (dB(A))	52					
The annual electricity consumption (AEC) (kWh/a)	Cold		Average		Warm	
	148		148		148	
The annual heating saved (AHS) (kWh/a)	Cold		Average		Warm	
	5536		2830		1280	

Accessories

Other accessories

Name	Photo	Description
CDT E/0-10		Speed control for EC motors