

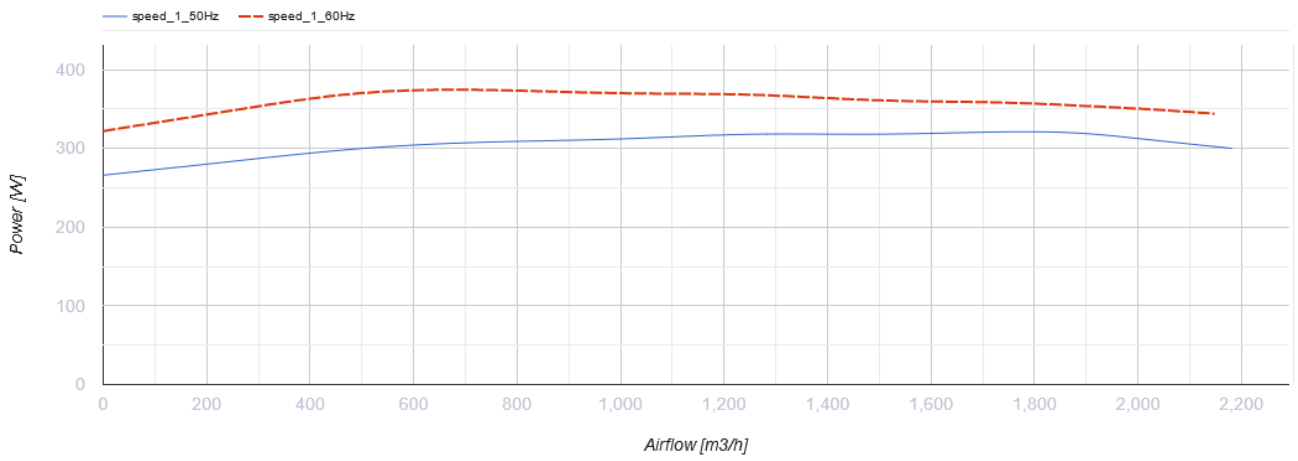
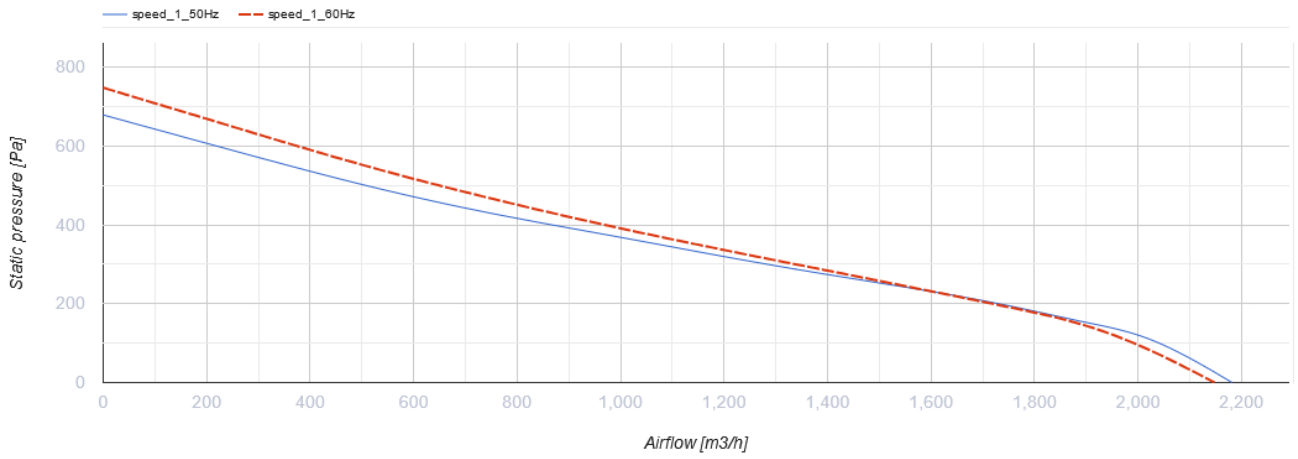
Iso-B 315

Sound-insulated inline centrifugal fans



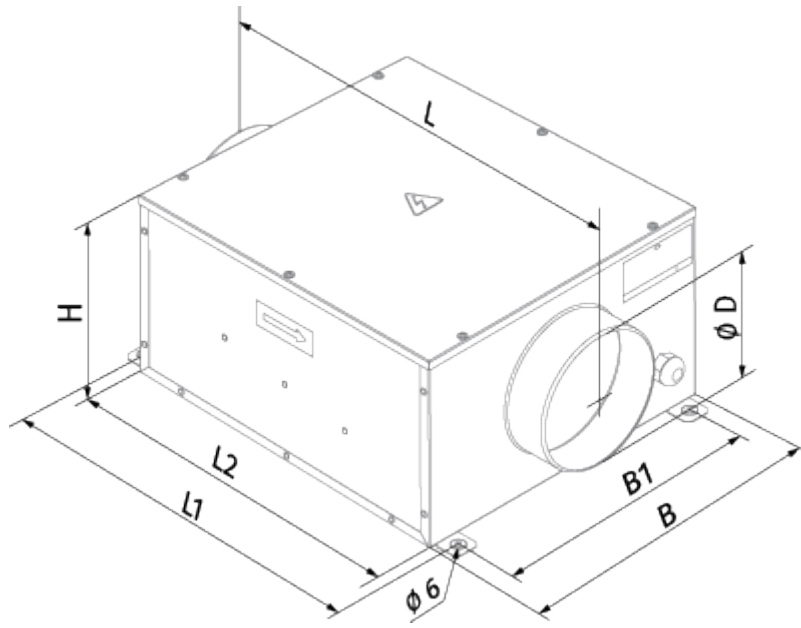
- Maximum airflow: 2150
- Sound pressure level LpA at 3 m: 43
- Sound insulation
- Motor type: AC
- Impeller type: Centrifugal backward curved blades
- Casing material: Galvanized steel
- Installation in any position

	Unit of measurement	Iso-B 315
Connected air duct size	mm	315
Speed	-	1
Minimum supply voltage	V	220
Maximum supply voltage	V	240
Power supply frequency	Hz	50/60
Rated power	W	322
Unit current	A	1.4
Maximum airflow	m ³ /h	2150
Sound pressure level LpA at 3 m	dB(A)	43
Weight	kg	15.5
Transported air temperature (max)	°C	45
Transported air temperature (min)	°C	-25
Ingress protection rating	-	IPX4



Dimensions

D	B	B1	H	L	L1	L2
314	502	438	397	648	566	540



Ecodesign




Trademark	Blauberg
Model	Iso-B 315
Type of ventilation unit	Unidirectional
Type of drive installed	External MSD or VSD
Type of heat recovery system	None
Nominal flow rate (m ³ /s)	0.367
Nominal external pressure (Pa)	291
Maximum external leakage rates (%)	2.7
Static efficiency (%)	34.1
Declared typology	NRVU UVU
Sound power level (dB(A))	63
Effective electric power input (kW)	0.32

Accessories

Thyristor speed controllers

Name	Photo	Description
CDT E1.8		Thyristor speed controller

Humidity sensors

Name	Photo	Description
TE / TI 1.5		Timers
HSE / HSI 1.5		Sensors
LSE / LSI 1.5		Sensors

[IRSE / IRSI 1.5](#)



Sensors