

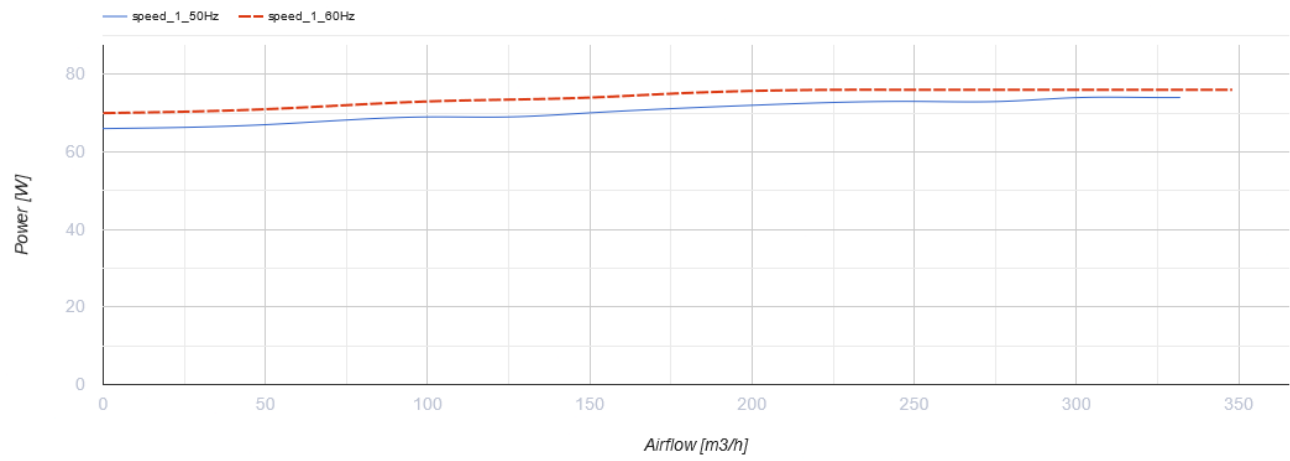
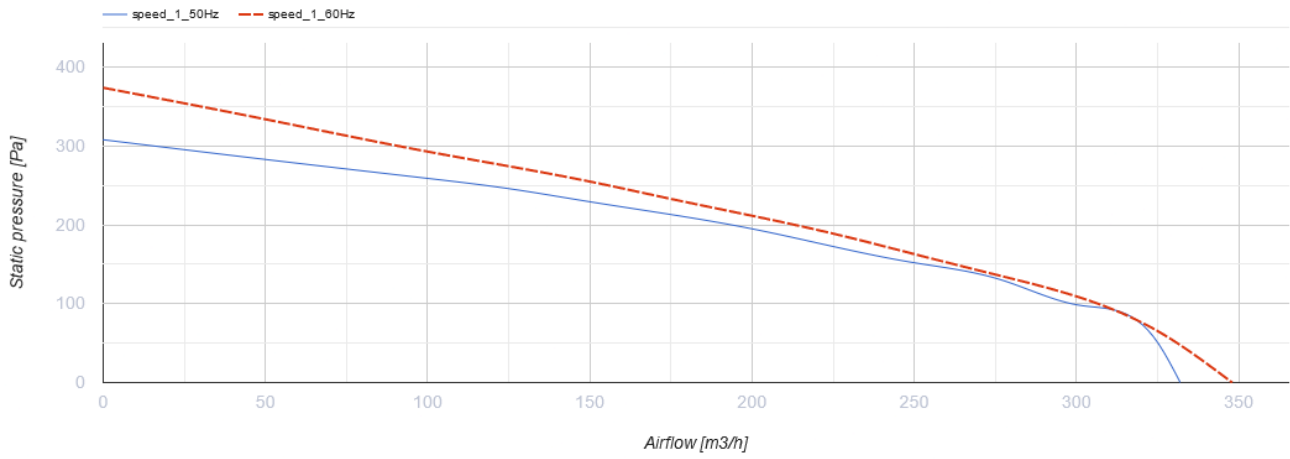
Iso-B 125

Sound-insulated inline centrifugal fans



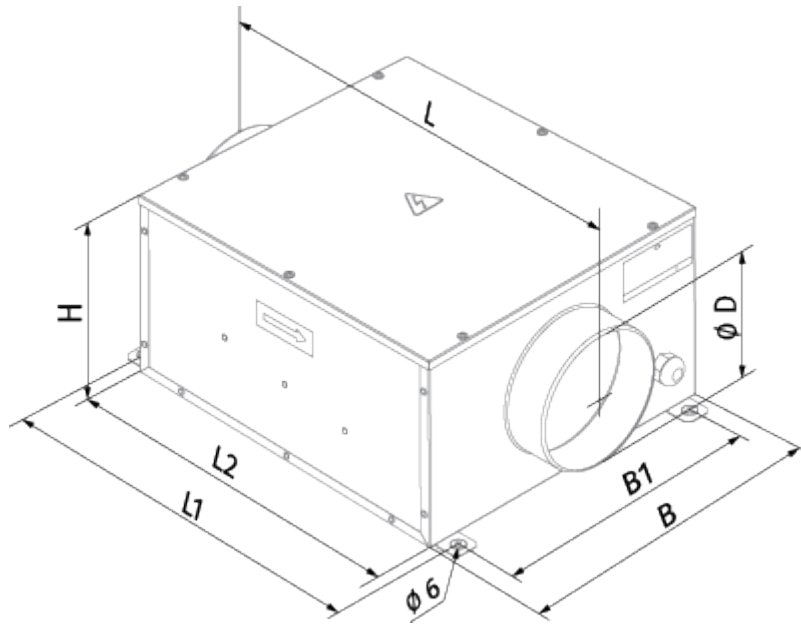
- Maximum airflow: 330
- Sound pressure level LpA at 3 m: 35
- Sound insulation
- Motor type: AC
- Impeller type: Centrifugal backward curved blades
- Casing material: Galvanized steel
- Installation in any position




	Unit of measurement	Iso-B 125
Connected air duct size	mm	125
Speed	-	1
Minimum supply voltage	V	220
Maximum supply voltage	V	240
Power supply frequency	Hz	50/60
Rated power	W	73
Unit current	A	0.32
Maximum airflow	m ³ /h	330
Sound pressure level LpA at 3 m	dB(A)	35
Weight	kg	5.4
Transported air temperature (max)	°C	55
Transported air temperature (min)	°C	-25
Ingress protection rating	-	IPX4



Dimensions

D	B	B1	H	L	L1	L2
124	322	280	192	447	380	350



HSE / HSI 1.5		Sensors
LSE / LSI 1.5		Sensors
IRSE / IRSI 1.5		Sensors