

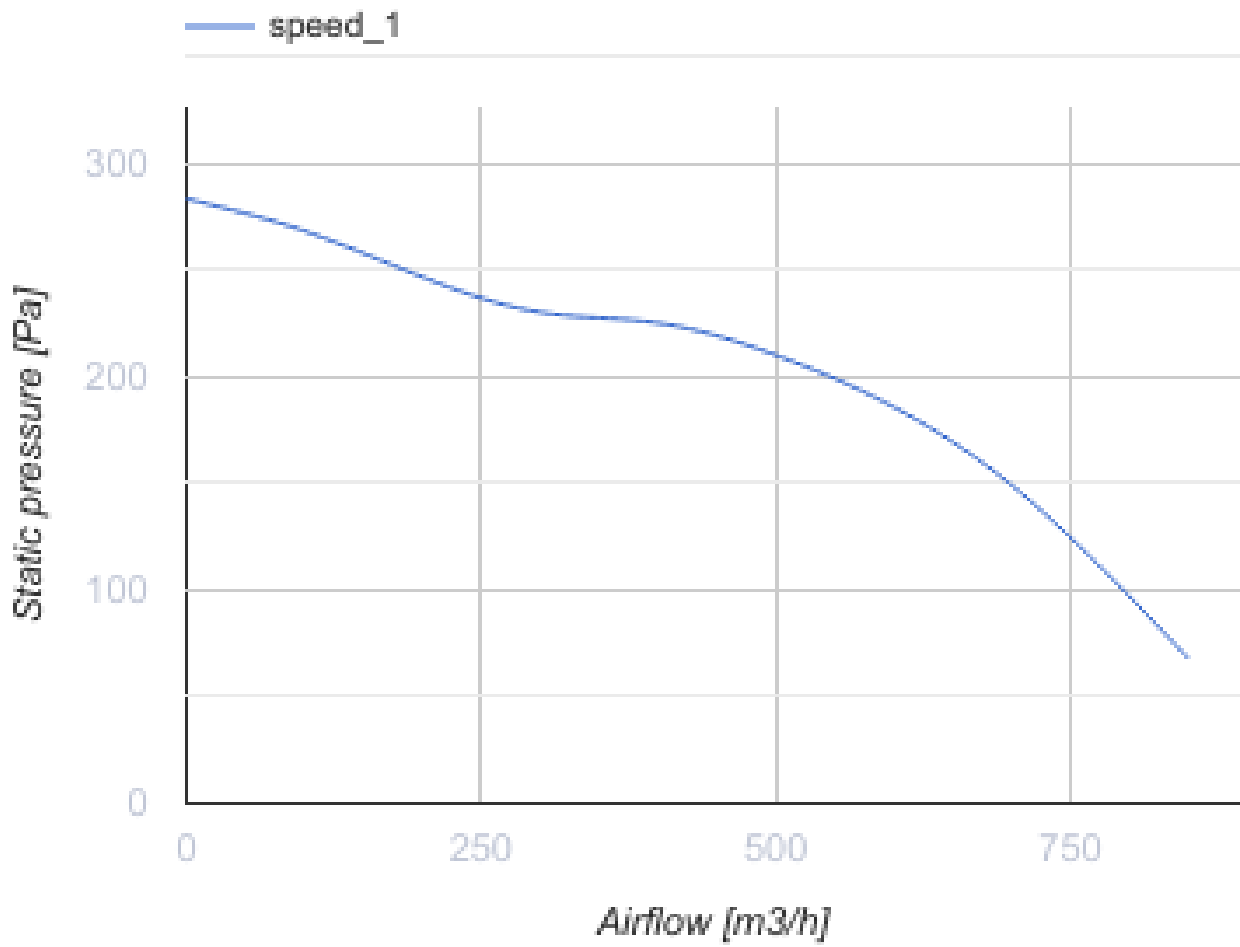


Iso 200-4E

Sound-insulated inline centrifugal fans

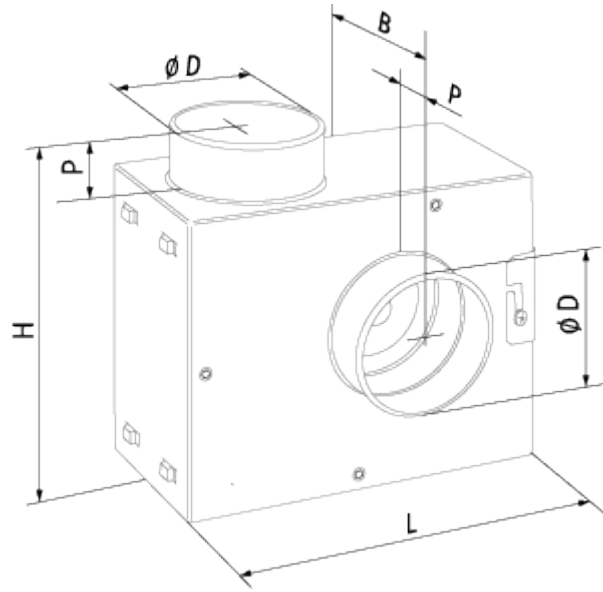
- Maximum airflow: 640
- Sound pressure level LpA at 3 m: 44590
- Sound insulation
- Motor type: AC
- Impeller type: Centrifugal forward curved blades
- Casing material: Galvanized steel
- Installation in any position

	Unit of measurement	Iso 200-4E
Connected air duct size	mm	200
Speed	-	1
Minimum supply voltage	V	230
Maximum supply voltage	V	230
Power supply frequency	Hz	50
Rated power	W	115
Unit current	A	0.5
Maximum airflow	m ³ /h	640
Sound pressure level LpA at 3 m	dB(A)	44590
Weight	kg	8.25
Transported air temperature (max)	°C	40
Transported air temperature (min)	°C	-25
Ingress protection rating	-	IPX2
Ingress protection rating of the drive	-	IP44

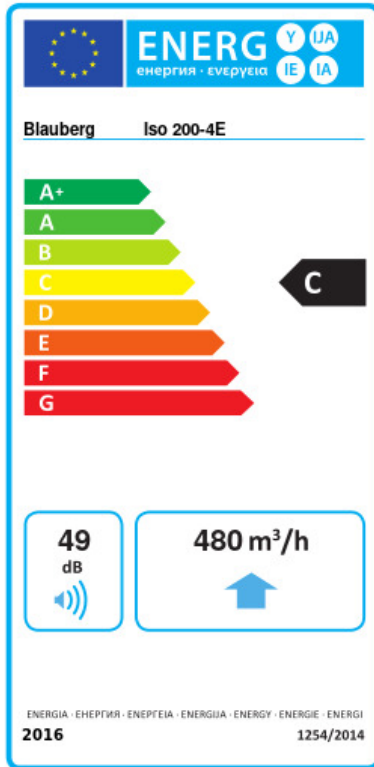


Dimensions

ØD	B	H	L	P
198	282	408	445	48



Ecodesign




Trademark	Blauberg					
Model	Iso 200-4E					
Specific energy consumption (SEC) (kWh/(m²/a))	Cold		Average		Warm	
	-52.4	A+	-25.4	C	-9.8	F
Type of ventilation unit	Unidirectional					
Type of drive installed	Variable speed					
Type of heat recovery system	None					
Maximum flow rate (m³/h)	480					
Electric power input (W)	107					
Reference flow rate (m³/s)	0.093					
Reference pressure difference (Pa)	50					
Specific power input (SPI) (W/(m³/h))	0.223					
Control typology	Local demand control					
Maximum external leakage rates (%)	2.7					
Declared typology	RVU UVU					
Sound power level (dB(A))	49					
The annual electricity consumption (AEC) (kWh/a)	Cold		Average		Warm	
	118		118		118	
The annual heating saved (AHS) (kWh/a)	Cold		Average		Warm	
	5536		2830		1280	

Accessories

Humidity sensors

Name	Photo	Description
TE / TI 1.5		Timers
HSE / HSI 1.5		Sensors
LSE / LSI 1.5		Sensors

IRSE / IRSI 1.5		Sensors
---------------------------------	---	---------

Thyristor speed controllers

Name	Photo	Description
CDT E1.8		Thyristor speed controller