

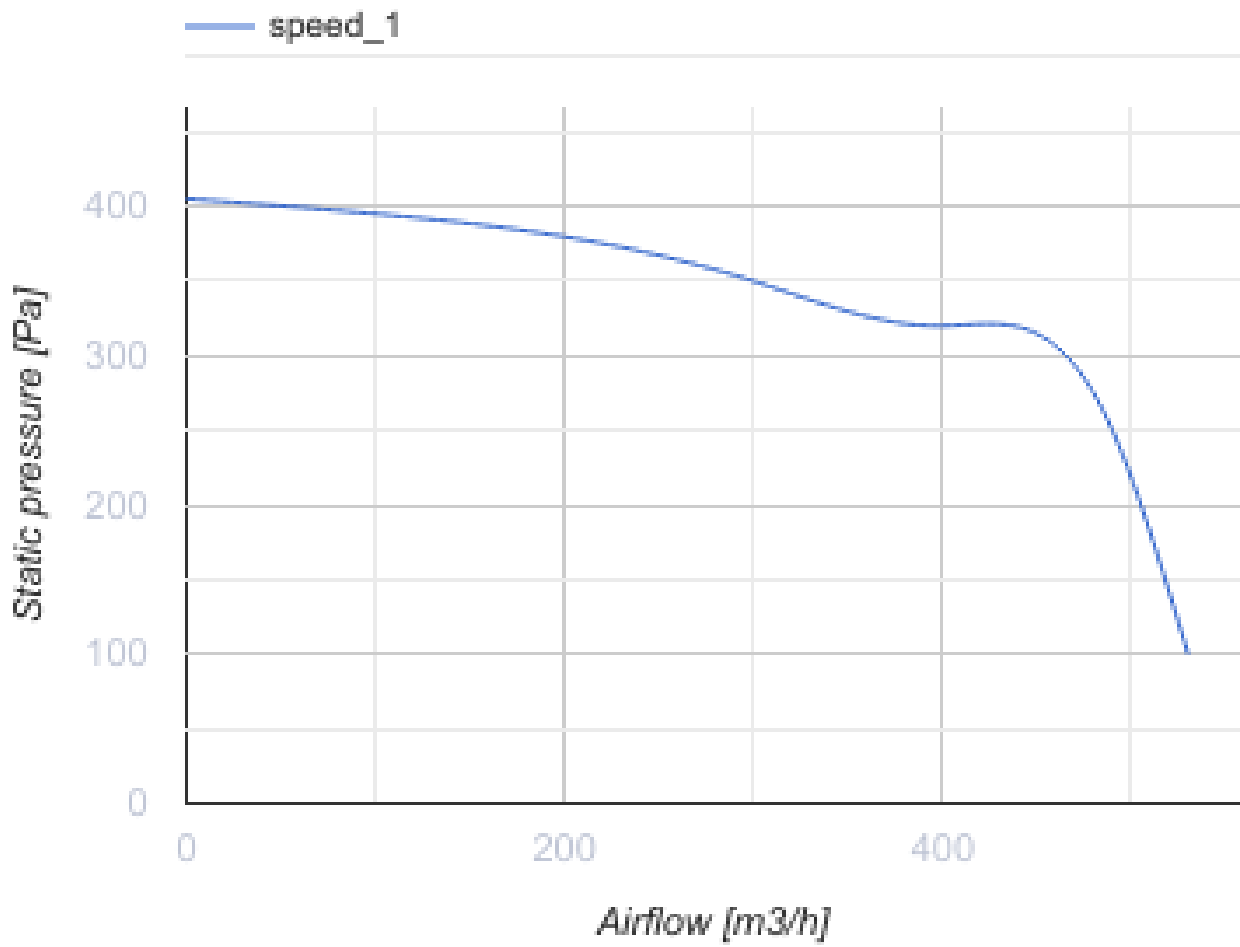


Iso 125-2E

Sound-insulated inline centrifugal fans

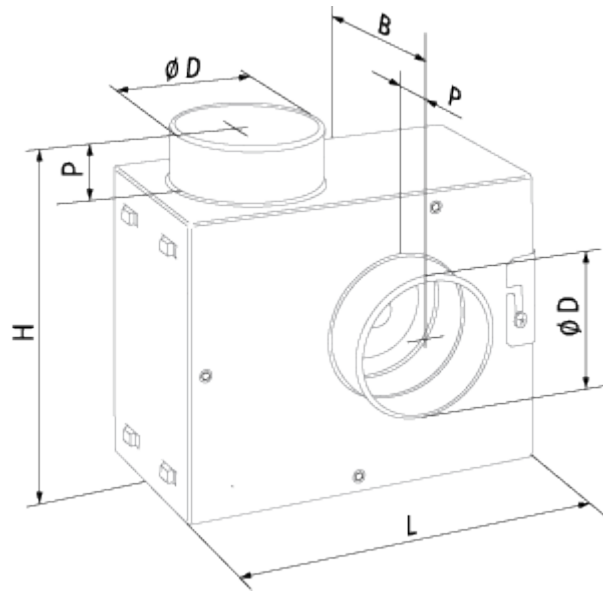
- Maximum airflow: 505
- Sound pressure level LpA at 3 m: 38
- Sound insulation
- Motor type: AC
- Impeller type: Centrifugal forward curved blades
- Casing material: Galvanized steel
- Installation in any position

	Unit of measurement	Iso 125-2E	
Connected air duct size	mm	125	
Speed	-	1	
Minimum supply voltage	V	230	
Maximum supply voltage	V	230	
Power supply frequency	Hz	50	
Rated power	W	155	
Unit current	A	0.7	
Maximum airflow	m ³ /h	505	
Sound pressure level LpA at 3 m	dB(A)	38	3
Weight	kg	4.57	
Transported air temperature (max)	°C	40	
Transported air temperature (min)	°C	-25	
Ingress protection rating	-	IPX2	
Ingress protection rating of the drive	-	IP44	

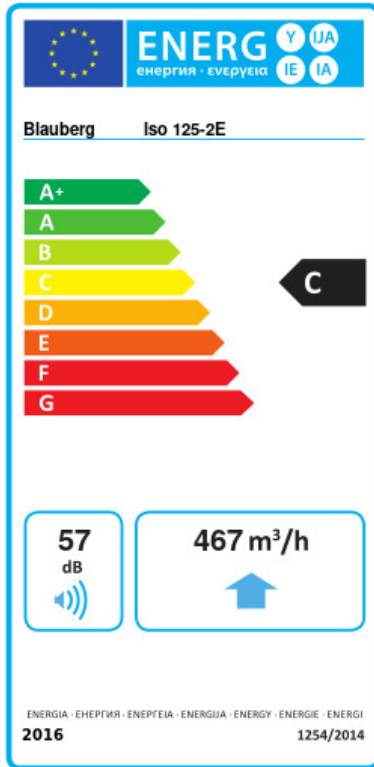


Dimensions

ØD	B	H	L	P
123	204	308	310	48



Ecodesign



Trademark	Blauberg					
Model	Iso 125-2E					
Specific energy consumption (SEC) (kWh/(m²/a))	Cold		Average		Warm	
	-51.1	A+	-24.1	C	-8.6	F
Type of ventilation unit	Unidirectional					
Type of drive installed	Variable speed					
Type of heat recovery system	None					
Maximum flow rate (m³/h)	467					
Electric power input (W)	149					
Reference flow rate (m³/s)	0.091					
Reference pressure difference (Pa)	50					
Specific power input (SPI) (W/(m³/h))	0.319					
Control typology	Local demand control					
Maximum external leakage rates (%)	2.7					
Declared typology	RVU UVU					
Sound power level (dB(A))	57					
The annual electricity consumption (AEC) (kWh/a)	Cold		Average		Warm	
	169		169		169	
The annual heating saved (AHS) (kWh/a)	Cold		Average		Warm	
	5536		2830		1280	




Accessories

Thyristor speed controllers

Name	Photo	Description
CDT E1.8		Thyristor speed controller

Humidity sensors

Name	Photo	Description
TE / TI 1.5		Timers

HSE / HSI 1.5		Sensors
LSE / LSI 1.5		Sensors
IRSE / IRSI 1.5		Sensors