

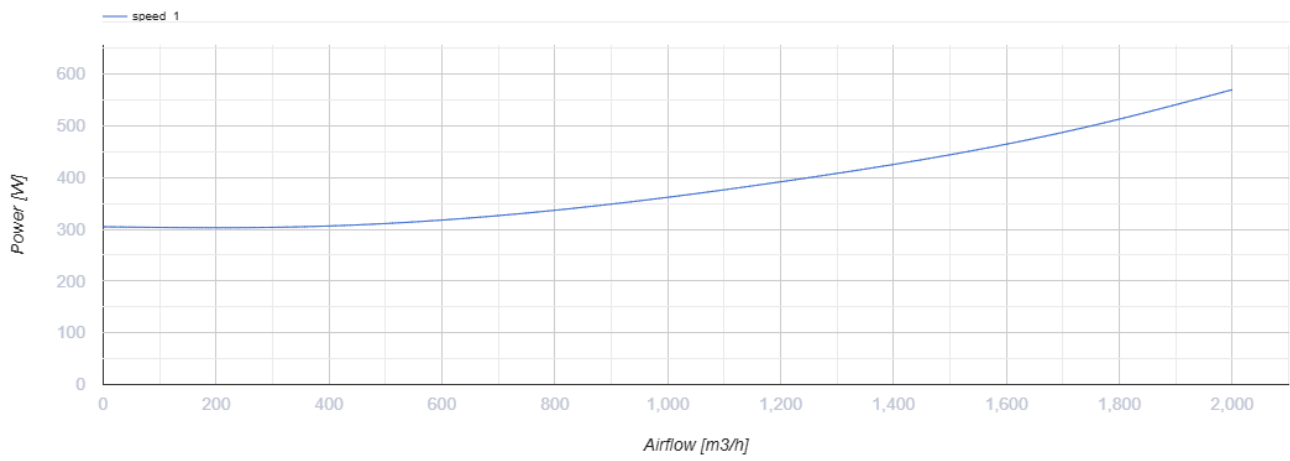
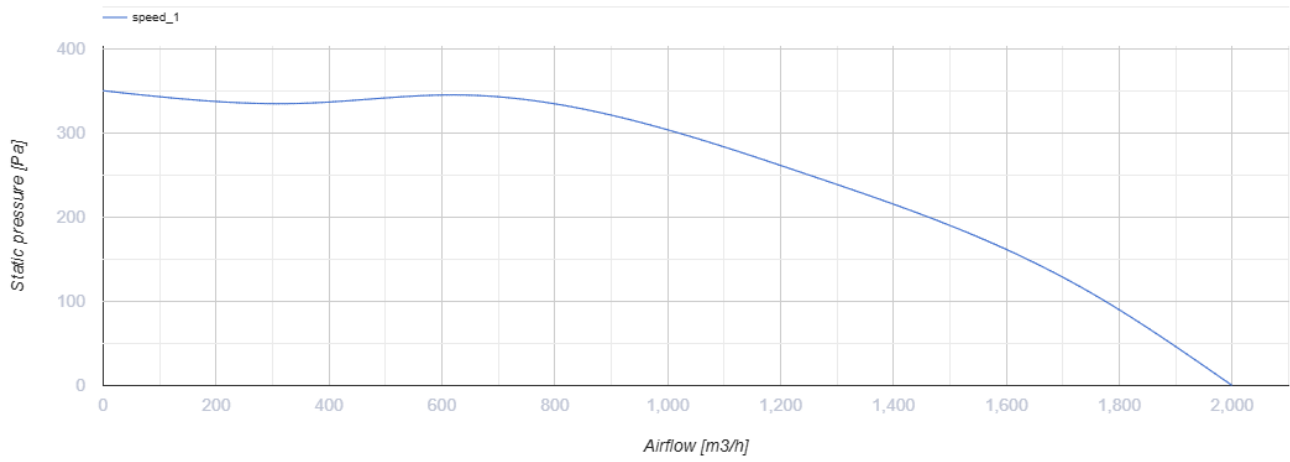


Helix 250x140 4E

Radial fans

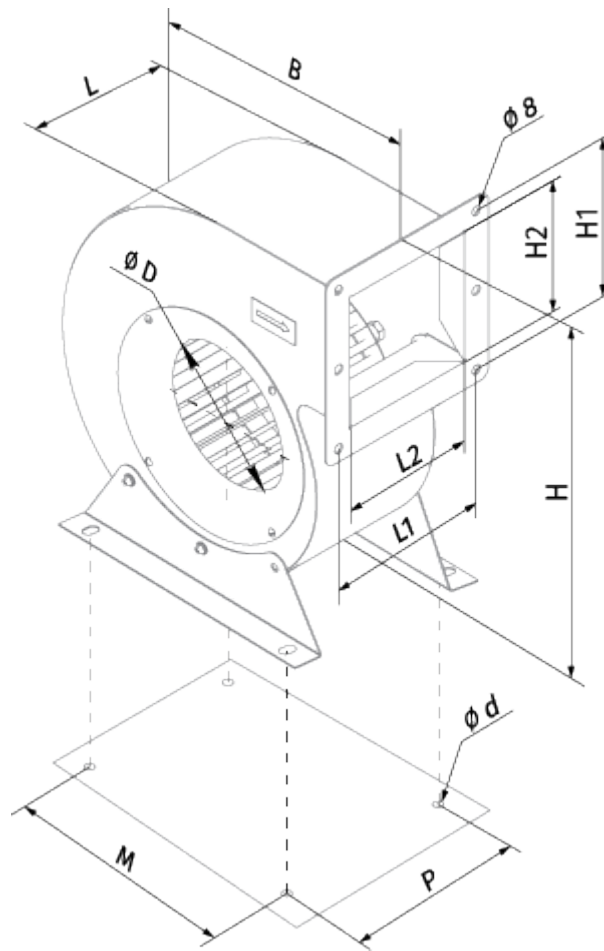
- Maximum airflow: 2000
- Sound pressure level LpA at 3 m: 60
- Motor type: AC
- Impeller type: Centrifugal forward curved blades
- Casing material: Coated steel

	Unit of measurement	Helix 250x140 4E
Speed	-	1
Minimum supply voltage	V	230
Maximum supply voltage	V	230
Power supply frequency	Hz	50
Rated power	W	570
Unit current	A	2.48
Maximum airflow	m ³ /h	2000
Sound pressure level LpA at 3 m	dB(A)	60
Weight	kg	16.3
Transported air temperature (max)	°C	70
Transported air temperature (min)	°C	-40
Ingress protection rating	-	IPX4
Ingress protection rating of the drive	-	IP44



Dimensions

Ø D	B	H	H1	H2	L	L1	L2	P	M
250	410	485	230	191	205	230	197	238	270




Ecodesign

Trademark	Blauberg
Model	Helix 250x140 4E
Type of ventilation unit	Unidirectional
Type of drive installed	External MSD or VSD
Type of heat recovery system	None
Nominal flow rate (m ³ /s)	0.303
Nominal external pressure (Pa)	286
Maximum external leakage rates (%)	2.7
Static efficiency (%)	22.7
Declared typology	NRVU UVU
Sound power level (dB(A))	80
Effective electric power input (kW)	0.389

Accessories

Other accessories

Name	Photo	Description
CDT E1.8		Thyristor speed controller