

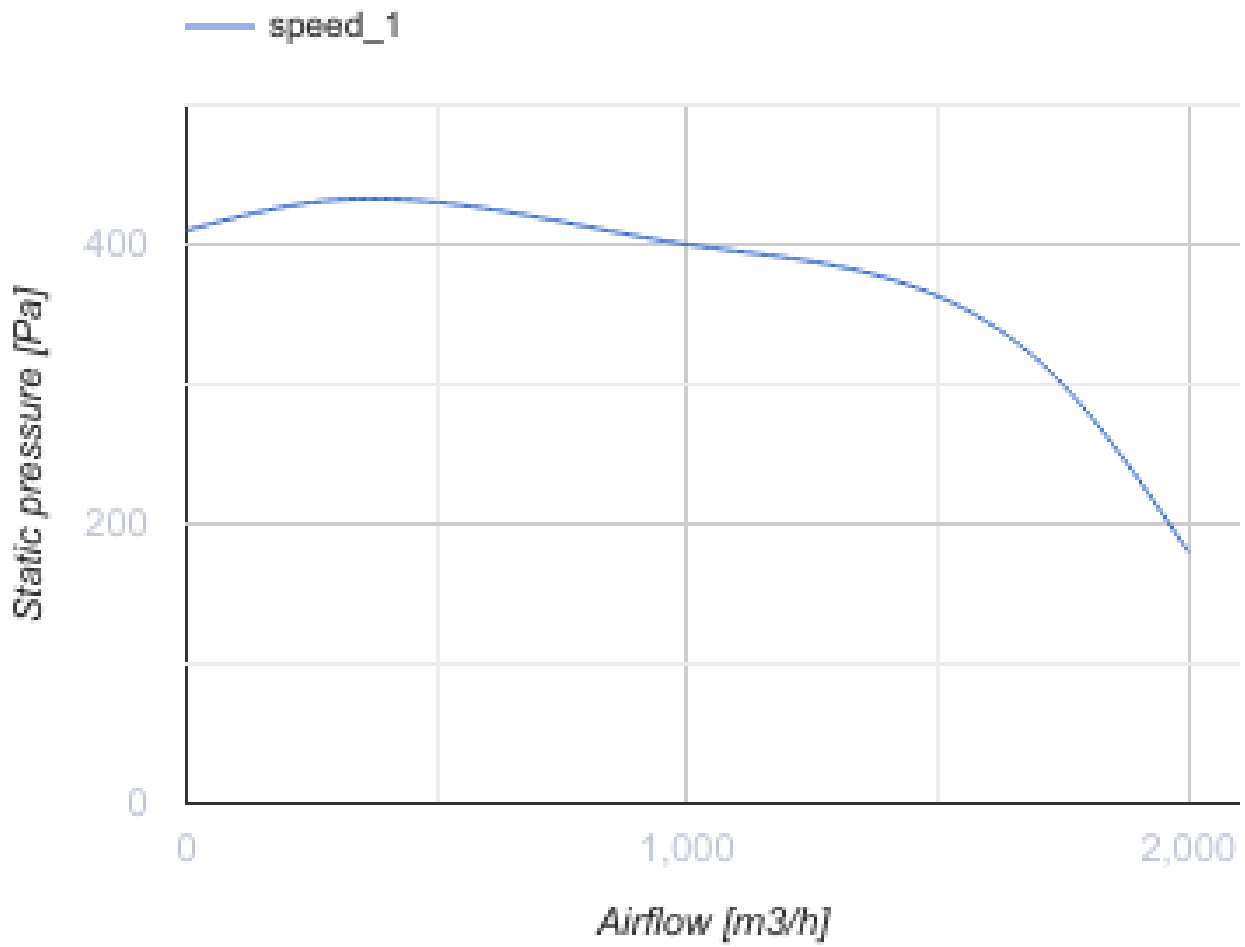


# Helix 250x102 4E

Radial fans

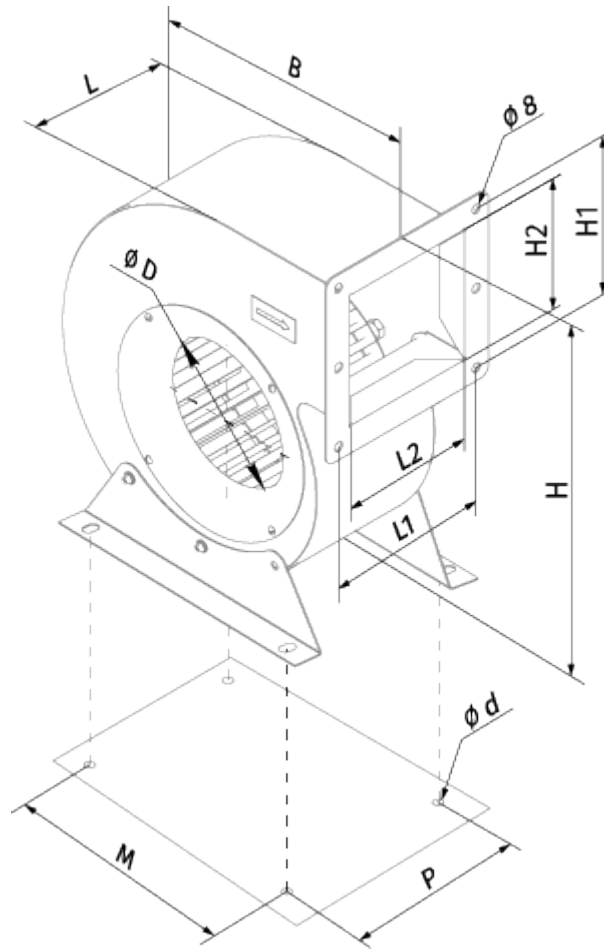
- Maximum airflow: 2000
- Sound pressure level LpA at 3 m: 63
- Motor type: AC
- Impeller type: Centrifugal forward curved blades
- Casing material: Coated steel

	Unit of measurement	Helix 250x102 4E
Speed	-	1
Minimum supply voltage	V	230
Maximum supply voltage	V	230
Power supply frequency	Hz	50
Rated power	W	810
Unit current	A	3.65
Maximum airflow	m <sup>3</sup> /h	2000
Sound pressure level LpA at 3 m	dB(A)	63
Weight	kg	16.3
Transported air temperature (max)	°C	70
Transported air temperature (min)	°C	-40
Ingress protection rating	-	IPX4
Ingress protection rating of the drive	-	IP44



## Dimensions

Ø D	B	H	H1	H2	L	L1	L2	P	M
250	410	485	230	191	165	190	157	198	270



## Ecodesign

Trademark	Blauberg
Model	Helix 250x102 4E
Type of ventilation unit	Unidirectional
Type of drive installed	External MSD or VSD
Type of heat recovery system	None
Nominal flow rate (m <sup>3</sup> /s)	0.389
Nominal external pressure (Pa)	372
Maximum external leakage rates (%)	2.7
Static efficiency (%)	28.5
Sound power level (dB(A))	83
Declared typology	NRVU UVU
Effective electric power input (kW)	0.519

## Accessories

### Other accessories

Name	Photo	Description
<a href="#">CDT E1.8</a>		Thyristor speed controller