

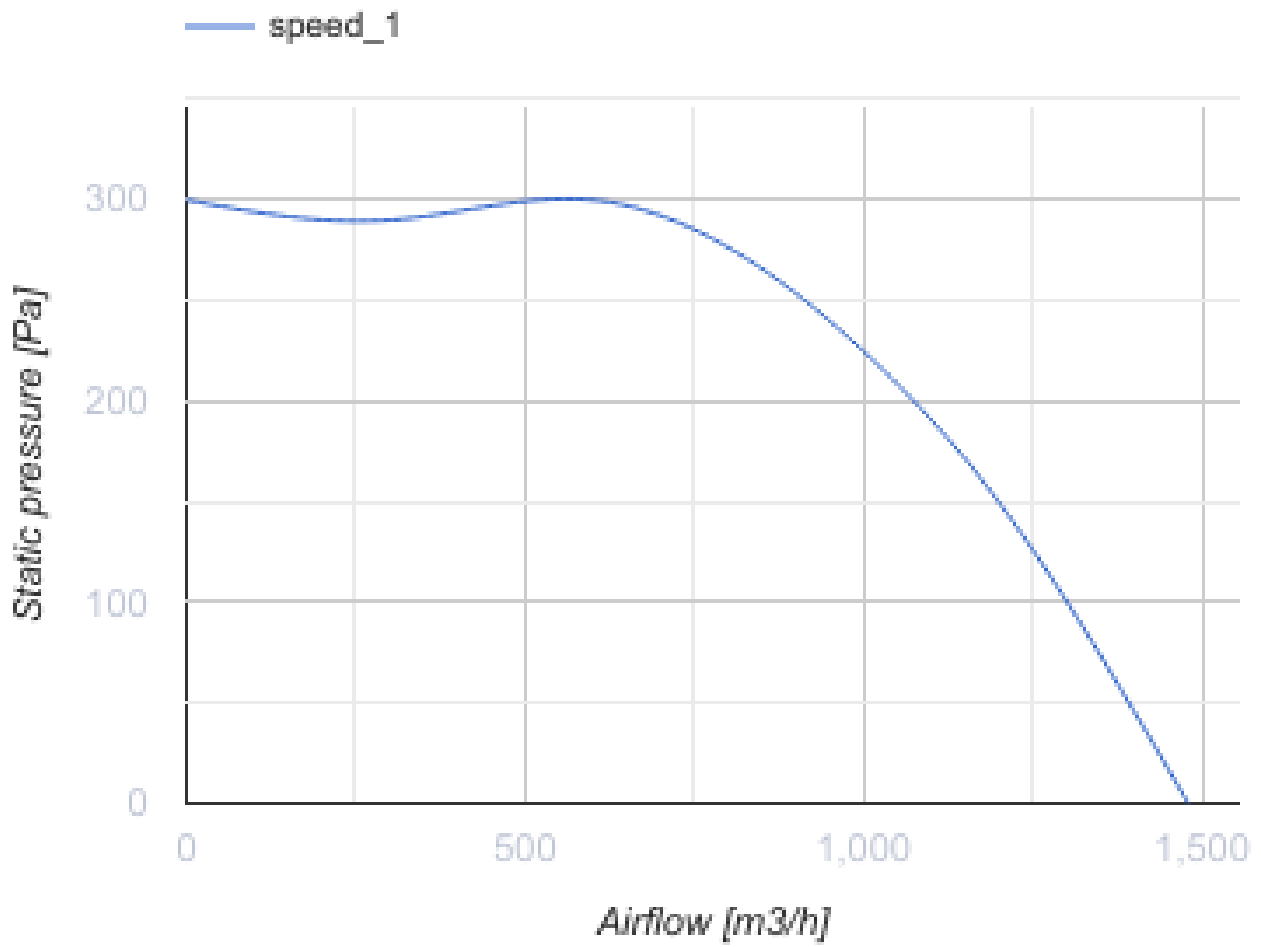


Helix 225x102 4E

Centrifugal inline fans

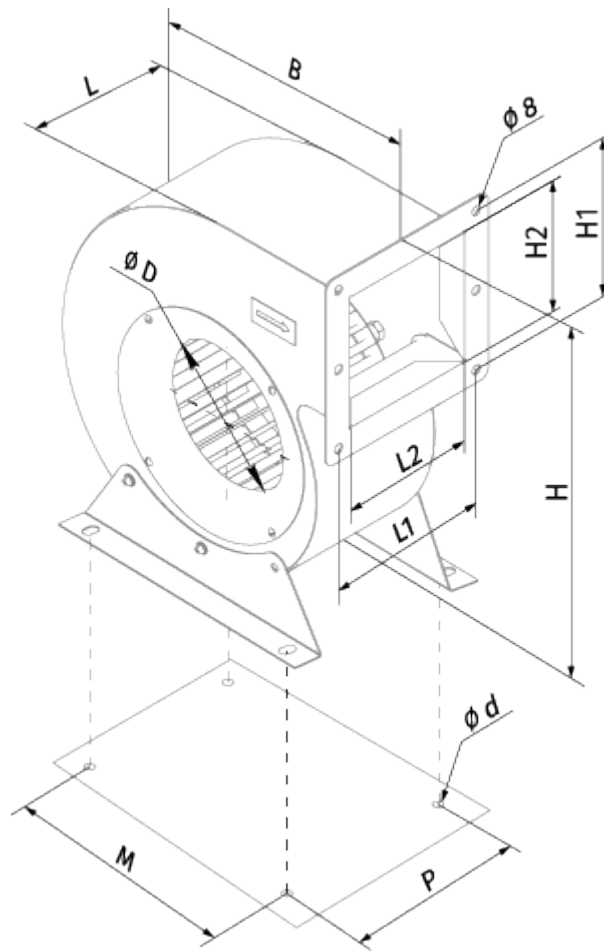
- Maximum airflow: 1480
- Sound pressure level LpA at 3 m: 69
- Motor type: AC
- Impeller type: Centrifugal forward curved blades
- Casing material: Coated steel

	Unit of measurement	Helix 225x102 4E
Speed	-	1
Minimum supply voltage	V	230
Maximum supply voltage	V	230
Power supply frequency	Hz	50
Rated power	W	395
Unit current	A	1.98
Maximum airflow	m ³ /h	1480
Sound pressure level LpA at 3 m	dB(A)	69
Weight	kg	11.9
Transported air temperature (max)	°C	70
Transported air temperature (min)	°C	-40
Ingress protection rating	-	IPX4
Ingress protection rating of the drive	-	IP44



Dimensions

Ø D	B	H	H1	H2	L	L1	L2	P	M
225	365	441	210	171	145	170	137	178	250



Ecodesign

Trademark	Blauberg
Model	Helix 225x102 4E
Type of ventilation unit	Unidirectional
Type of drive installed	External MSD or VSD
Type of heat recovery system	None
Nominal flow rate (m ³ /s)	0.231
Nominal external pressure (Pa)	270
Maximum external leakage rates (%)	2.7
Static efficiency (%)	23.1
Effective electric power input (kW)	0.275
Declared typology	NRVU UVU
Sound power level (dB(A))	89

Accessories

Other accessories

Name	Photo	Description
CDT E1.8		Thyristor speed controller