

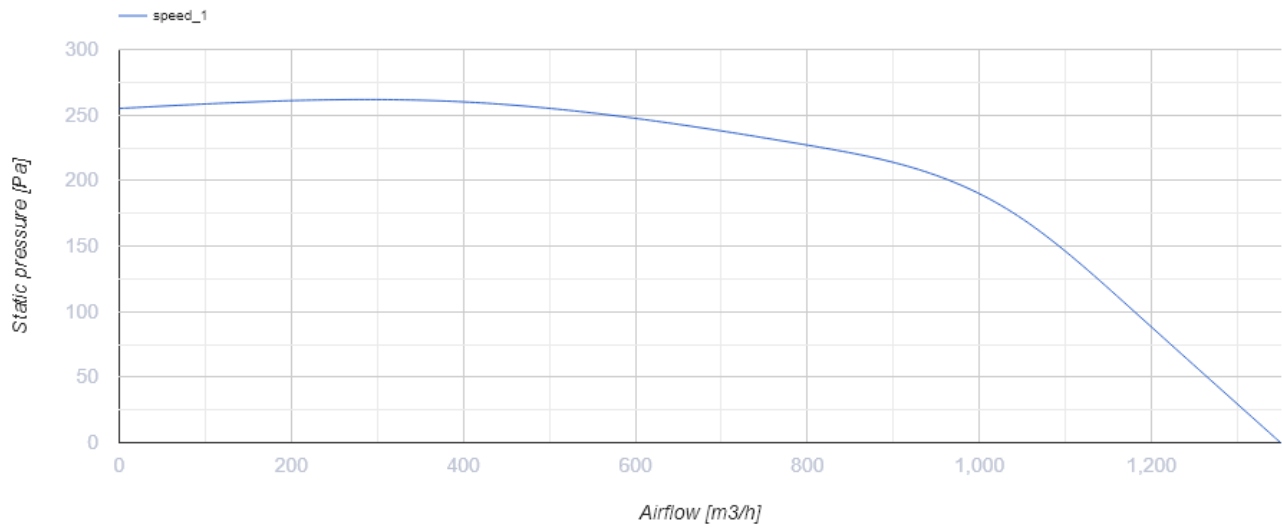


Helix 200x80 4E

Centrifugal inline fans

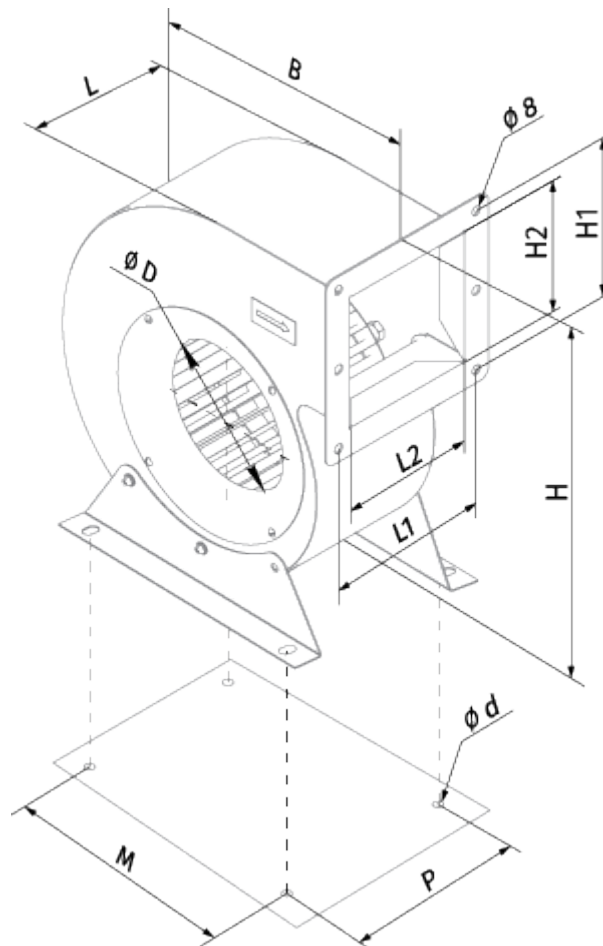
- Maximum airflow: 730
- Sound pressure level LpA at 3 m: 63
- Motor type: AC
- Impeller type: Centrifugal forward curved blades
- Casing material: Coated steel

	Unit of measurement	Helix 200x80 4E
Speed	-	1
Minimum supply voltage	V	230
Maximum supply voltage	V	230
Power supply frequency	Hz	50
Rated power	W	125
Unit current	A	0.55
Maximum airflow	m ³ /h	730
Sound pressure level LpA at 3 m	dB(A)	63
Weight	kg	7.5
Transported air temperature (max)	°C	45
Transported air temperature (min)	°C	-25
Ingress protection rating	-	IPX4
Ingress protection rating of the drive	-	IP44

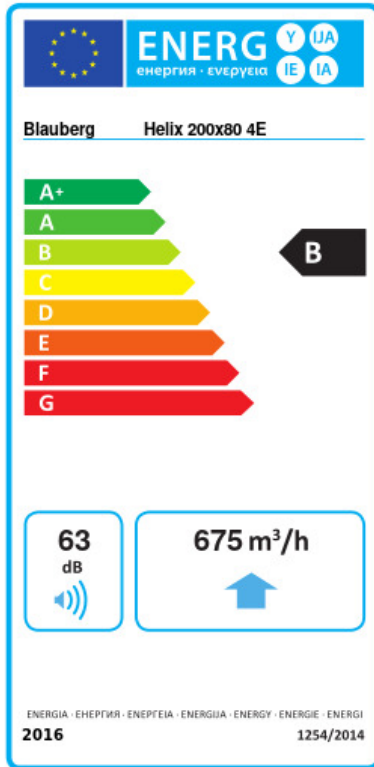


Dimensions

$\varnothing D$	B	H	H1	H2	L	L1	L2
200	335	398	165	134	121	140	113



Ecodesign



Trademark	Blaubeerg					
Model	Helix 200x80 4E					
Specific energy consumption (SEC) (kWh/(m ² /a))	Cold		Average		Warm	
	-53.4	A+	-26.4	B	-10.9	E
Type of ventilation unit	Unidirectional					
Type of drive installed	Variable speed					
Type of heat recovery system	None					
Maximum flow rate (m ³ /h)	675					
Electric power input (W)	125					
Reference flow rate (m ³ /s)	0.131					
Reference pressure difference (Pa)	50					
Specific power input (SPI) (W/(m ³ /h))	0.146					
Control typology	Local demand control					
Maximum external leakage rates (%)	2.7					
Declared typology	RVU UVU					
Sound power level (dB(A))	63					
The annual electricity consumption (AEC) (kWh/a)	Cold		Average		Warm	
	77		77		77	
The annual heating saved (AHS) (kWh/a)	Cold		Average		Warm	
	5536		2830		1280	

Accessories

Other accessories

Name	Photo	Description
CDT E1.8		Thyristor speed controller