



Helix 200x102 4E

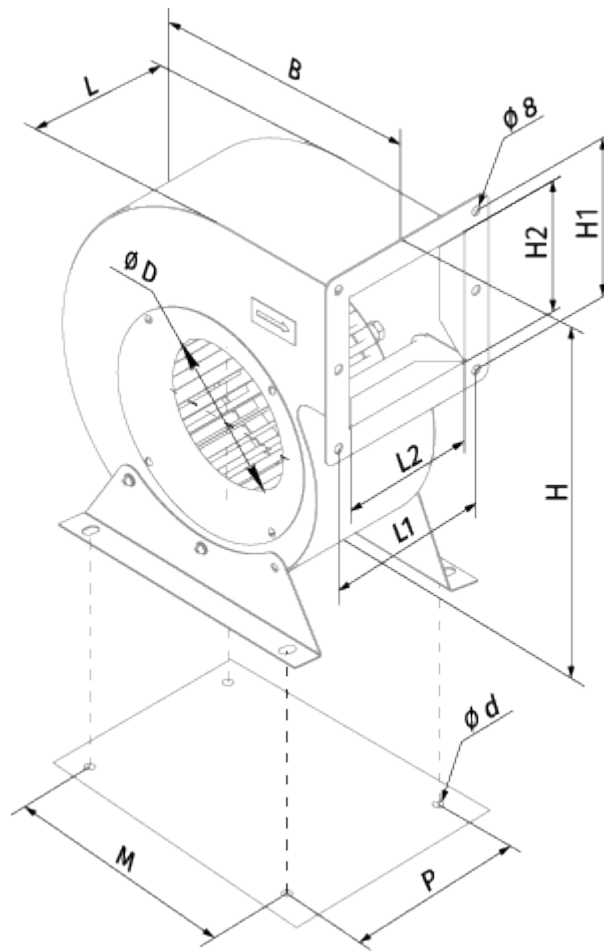
Centrifugal inline fans

- Maximum airflow: 1350
- Sound pressure level LpA at 3 m: 65
- Motor type: AC
- Impeller type: Centrifugal forward curved blades
- Casing material: Coated steel

	Unit of measurement	Helix 200x102 4E
Speed	-	1
Minimum supply voltage	V	230
Maximum supply voltage	V	230
Power supply frequency	Hz	50
Rated power	W	280
Unit current	A	1.25
Maximum airflow	m ³ /h	1350
Sound pressure level LpA at 3 m	dB(A)	65
Weight	kg	8
Transported air temperature (max)	°C	40
Transported air temperature (min)	°C	-25
Ingress protection rating	-	IPX4
Ingress protection rating of the drive	-	IP44

Dimensions

Ø D	B	H	H1	H2	L	L1	L2
200	335	398	165	134	157	175	148




Ecodesign

Trademark	Blauberg
Model	Helix 200x102 4E
Type of ventilation unit	Unidirectional
Type of drive installed	External MSD or VSD
Type of heat recovery system	None
Nominal flow rate (m ³ /s)	0.252
Nominal external pressure (Pa)	206
Maximum external leakage rates (%)	2.7
Static efficiency (%)	21
Declared typology	NRVU UVU
Sound power level (dB(A))	85
Effective electric power input (kW)	0.252

Accessories

Thyristor speed controllers

Name	Photo	Description
CDT E1.8		Thyristor speed controller