



Helix 180x92 4E

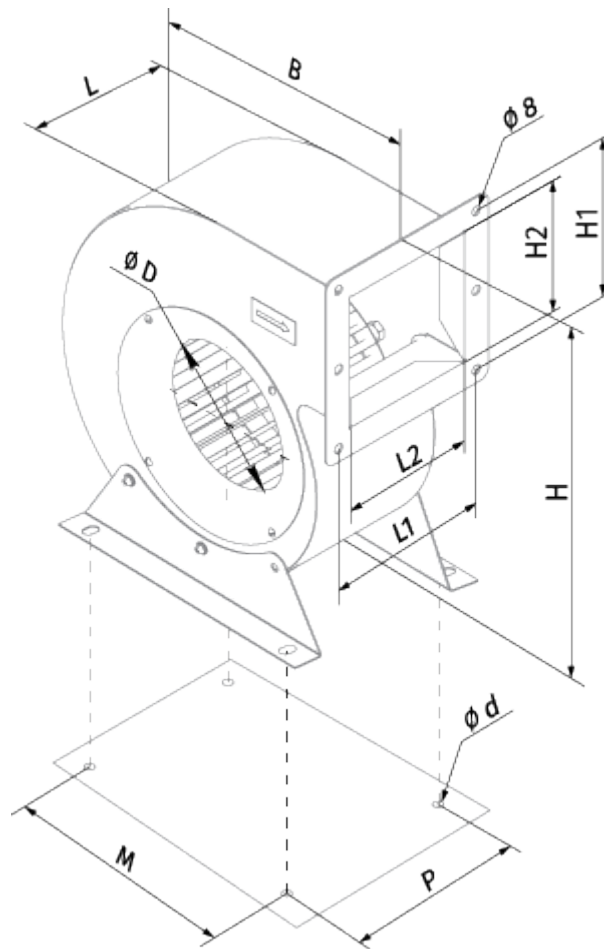
Centrifugal inline fans

- Maximum airflow: 800
- Sound pressure level LpA at 3 m: 62
- Motor type: AC
- Impeller type: Centrifugal forward curved blades
- Casing material: Coated steel

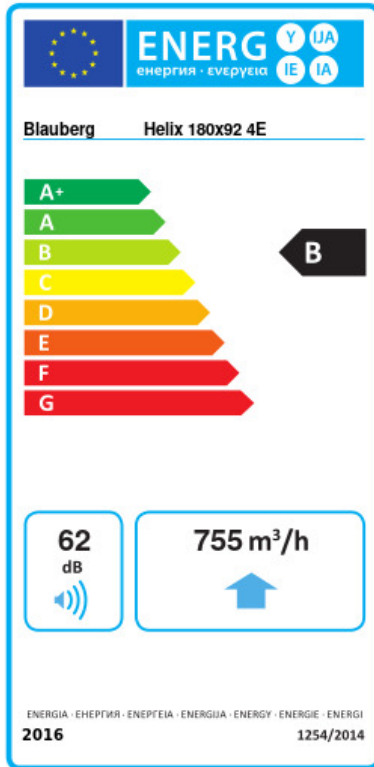
	Unit of measurement	Helix 180x92 4E
Speed	-	1
Minimum supply voltage	V	230
Maximum supply voltage	V	230
Power supply frequency	Hz	50
Rated power	W	160
Unit current	A	0.7
Maximum airflow	m ³ /h	800
Sound pressure level LpA at 3 m	dB(A)	62
Weight	kg	7.1
Transported air temperature (max)	°C	45
Transported air temperature (min)	°C	-25
Ingress protection rating	-	IPX4
Ingress protection rating of the drive	-	IP44

Dimensions

∅ D	B	H	H1	H2	L	L1	L2
180	311	360	150	120	148	170	140



Ecodesign



Trademark	Blauberg					
Model	Helix 180x92 4E					
Specific energy consumption (SEC) (kWh/(m ² /a))	Cold	Average		Warm		
	-53.2	A+	-26.1	B	-10.6	E
Type of ventilation unit	Unidirectional					
Type of drive installed	Variable speed					
Type of heat recovery system	None					
Maximum flow rate (m ³ /h)	755					
Electric power input (W)	160					
Reference flow rate (m ³ /s)	0.147					
Reference pressure difference (Pa)	50					
Specific power input (SPI) (W/(m ³ /h))	0.167					
Control typology	Local demand control					
Maximum external leakage rates (%)	2.7					
Declared typology	RVU UVU					
Sound power level (dB(A))	62					
The annual electricity consumption (AEC) (kWh/a)	Cold	Average		Warm		
	88	88		88		
The annual heating saved (AHS) (kWh/a)	Cold	Average		Warm		
	5536	2830		1280		

Accessories

Thyristor speed controllers

Name	Photo	Description
CDT E1.8		Thyristor speed controller