

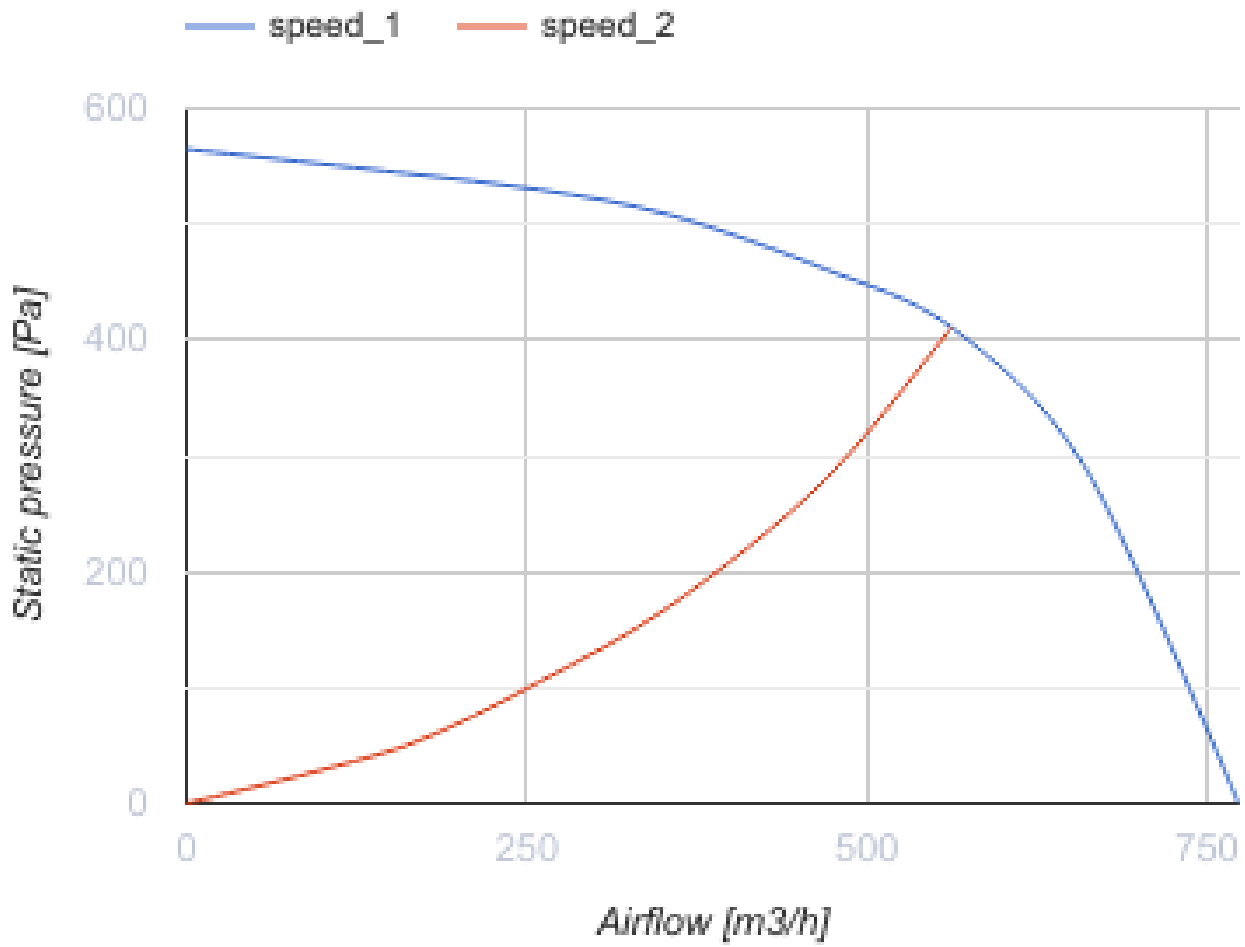


Helix 160x62 2E

Centrifugal inline fans

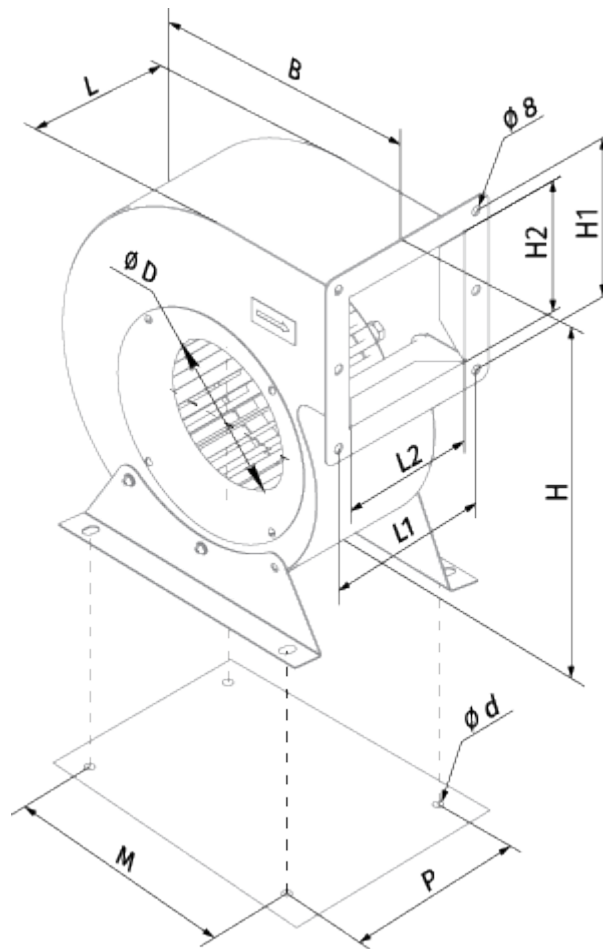
- Maximum airflow: 560
- Sound pressure level LpA at 3 m: 70
- Motor type: AC
- Impeller type: Centrifugal forward curved blades
- Casing material: Coated steel

	Unit of measurement	Helix 160x62 2E
Speed	-	1
Minimum supply voltage	V	230
Maximum supply voltage	V	230
Power supply frequency	Hz	50
Rated power	W	264
Unit current	A	1.17
Maximum airflow	m ³ /h	560
Sound pressure level LpA at 3 m	dB(A)	70
Weight	kg	4.8
Transported air temperature (max)	°C	50
Transported air temperature (min)	°C	-25
Ingress protection rating	-	IPX4
Ingress protection rating of the drive	-	IP44




Dimensions

Ø D	B	H	H1	H2	L	L1	L2
160	277	324	136	106	106	130	98



Accessories

Other accessories

Name	Photo	Description
CDT E1.8		Thyristor speed controller