

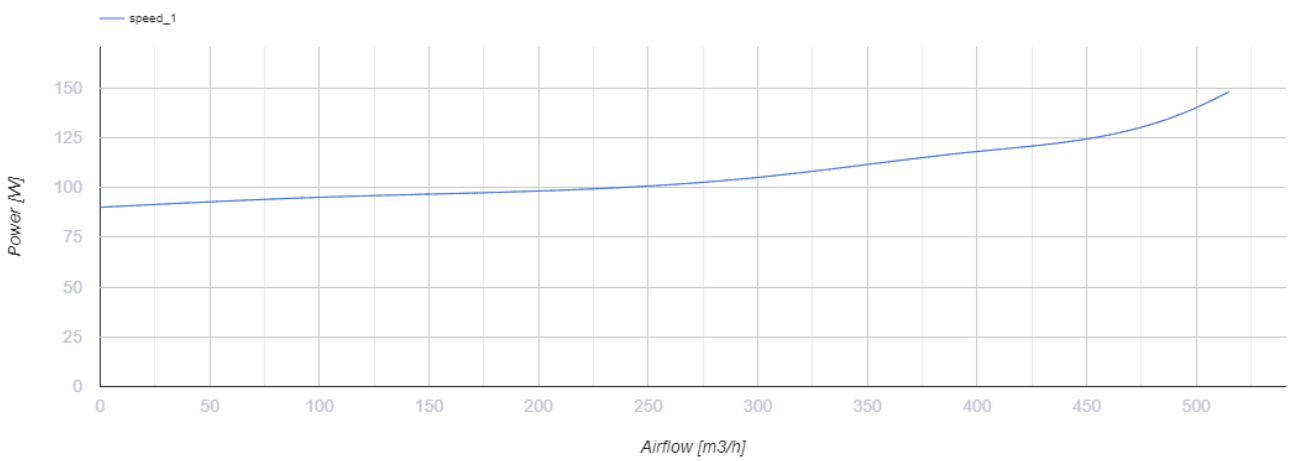
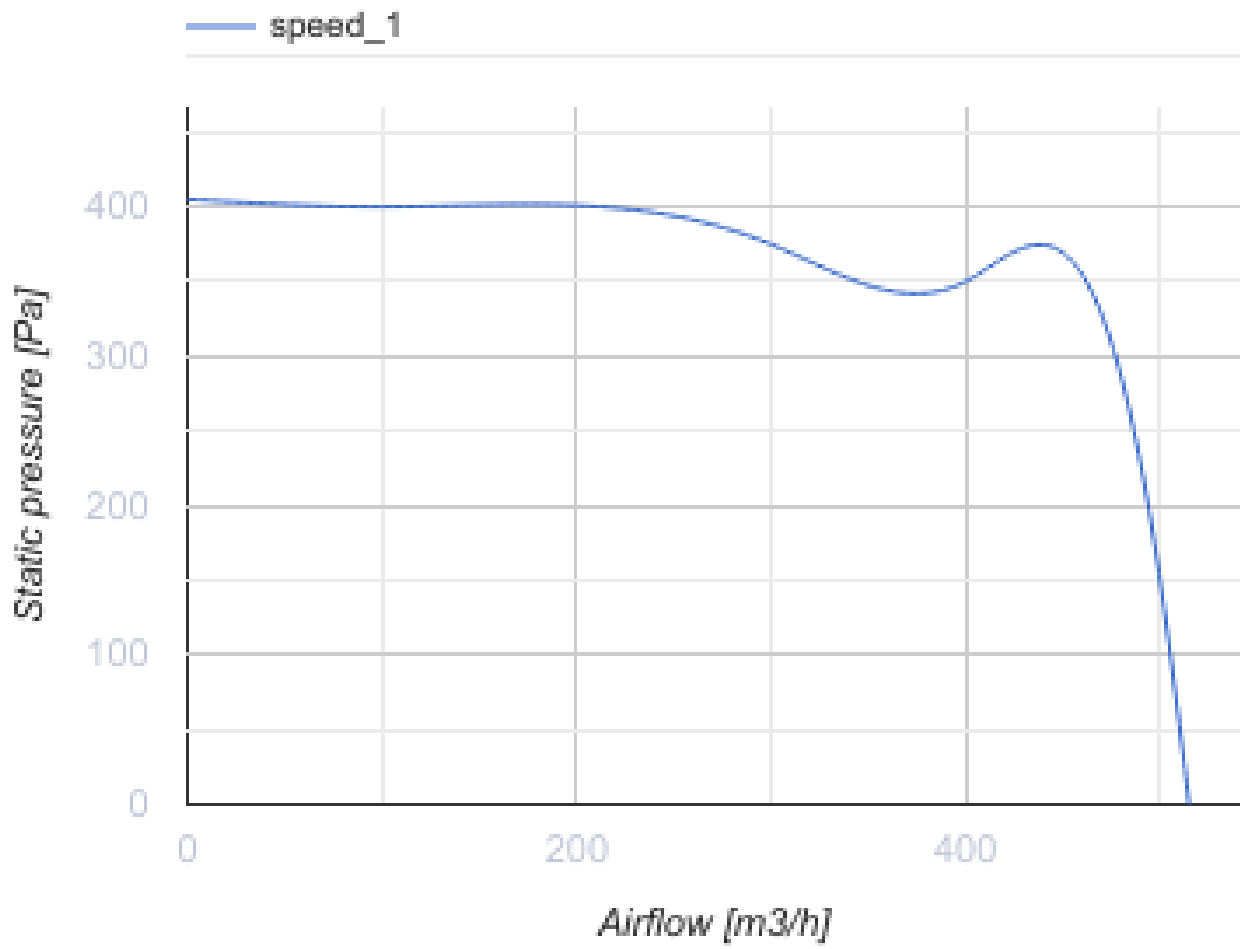


Helix 140x60 2E

Centrifugal inline fans

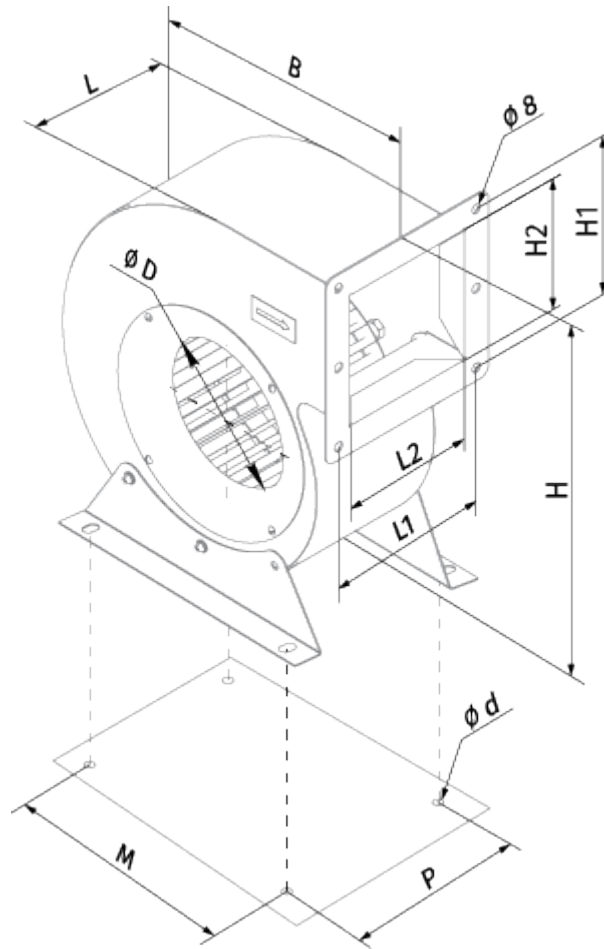
- Maximum airflow: 515
- Sound pressure level LpA at 3 m: 68
- Motor type: AC
- Impeller type: Centrifugal forward curved blades
- Casing material: Coated steel

	Unit of measurement	Helix 140x60 2E
Speed	-	1
Minimum supply voltage	V	230
Maximum supply voltage	V	230
Power supply frequency	Hz	50
Rated power	W	148
Unit current	A	0.64
Maximum airflow	m ³ /h	515
Sound pressure level LpA at 3 m	dB(A)	68
Weight	kg	3.7
Transported air temperature (max)	°C	45
Transported air temperature (min)	°C	-25
Ingress protection rating	-	IPX4
Ingress protection rating of the drive	-	IP44

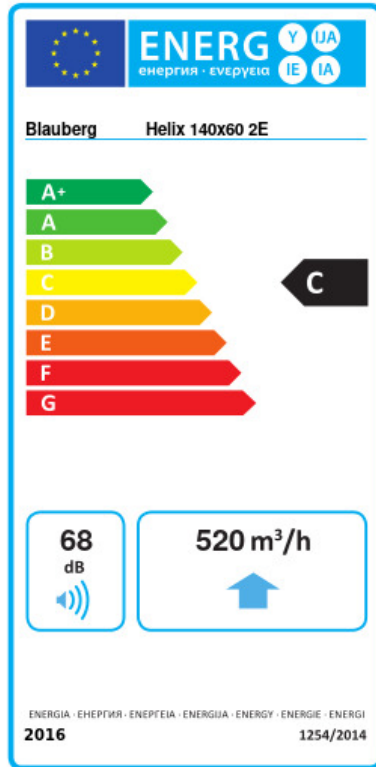


Dimensions

$\varnothing D$	B	H	H1	H2	L	L1	L2
140	243	287	125	93	86	110	78



Ecodesign



Trademark	Blauberg					
Model	Helix 140x60 2E					
Specific energy consumption (SEC) (kWh/(m ² /a))	Cold		Average		Warm	
	-52.4	A+	-25.3	C	-9.8	F
Type of ventilation unit	Unidirectional					
Type of drive installed	Variable speed					
Type of heat recovery system	None					
Maximum flow rate (m ³ /h)	520					
Electric power input (W)	148					
Reference flow rate (m ³ /s)	0.101					
Reference pressure difference (Pa)	50					
Specific power input (SPI) (W/(m ³ /h))	0.224					
Control typology	Local demand control					
Maximum external leakage rates (%)	2.7					
Declared typology	RVU UVU					
Sound power level (dB(A))	68					
The annual electricity consumption (AEC) (kWh/a)	Cold		Average		Warm	
	118		118		118	
The annual heating saved (AHS) (kWh/a)	Cold		Average		Warm	
	5536		2830		1280	

Accessories

Thyristor speed controllers

Name	Photo	Description
CDT E1.8		Thyristor speed controller