

# Freshpoint Eco 160-E Pro

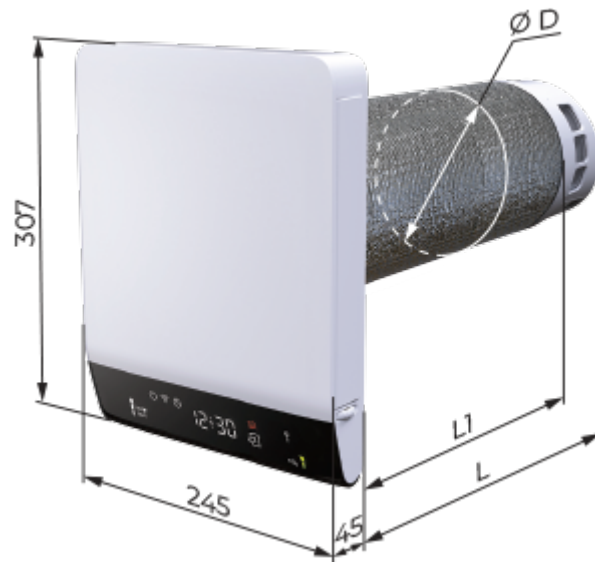
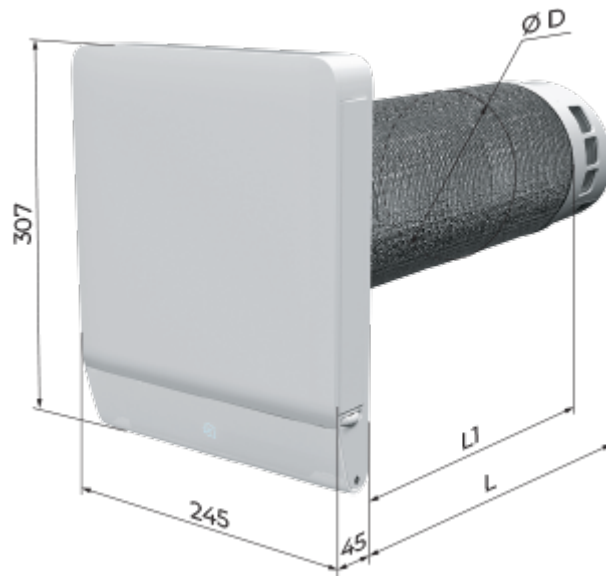
Smart HRV unit for single-room ventilation

- Power of electrical reheater: 160
- Maximum airflow: 48
- Sound pressure level LpA at 3 m: 40
- Motor type: EC
- Reheater: Electric
- Control: Smartphone
- Casing material: ABS Plastic
- Humidity sensor
- CO2 sensor
- VOC sensor
- Temperature sensor

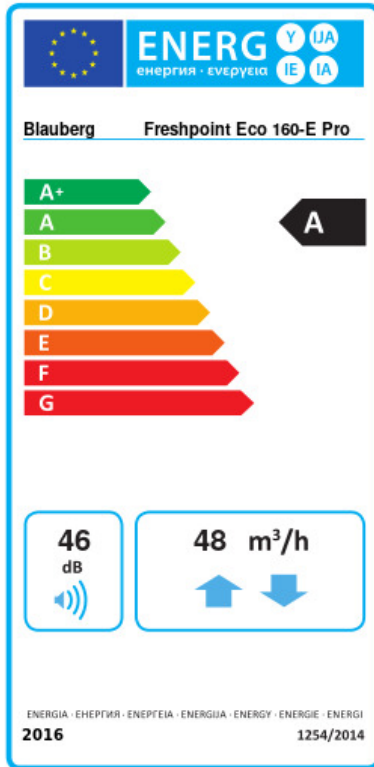
	Unit of measurement	Freshpoint Eco 160-E Pro
Speed	-	0
Phases	-	1
Minimum supply voltage	V	230
Maximum supply voltage	V	230
Power supply frequency	Hz	50
Rated power	W	8
Power of electrical reheater	W	160
Maximum airflow	m <sup>3</sup> /h	48
Sound pressure level LpA at 3 m	dB(A)	40
Heat recovery efficiency, max	%	90
Heat exchanger material	-	Ceramic
Transported air temperature (max)	°C	50
Transported air temperature (min)	°C	-30
Ingress protection rating	-	IP24

## Dimensions

ØD	L	L1
162	540	439



## Ecodesign



Trademark	Blaubeerg					
Model	Freshpoint Eco 160-E Pro					
Specific energy consumption (SEC) (kWh/(m <sup>2</sup> /a))	Cold		Average		Warm	
	81.2	A+	40	A	16.4	E
Type of ventilation unit	Bidirectional					
Type of drive installed	Variable speed					
Type of heat recovery system	Regenerative					
Thermal efficiency of heat recovery (%)	74					
Maximum flow rate (m <sup>3</sup> /h)	48					
Electric power input (W)	8					
Reference flow rate (m <sup>3</sup> /s)	0.01					
Specific power input (SPI) (W/(m <sup>3</sup> /h))	0.2					
Control typology	Local demand control					
Maximum internal leakage rates (%)	0.1					
Maximum external leakage rates (%)	0.9					
Mixing rate (%)	20					
Airflow sensitivity at +20 Pa and -20 Pa (%)	0.93					
The indoor/outdoor air tightness (m <sup>3</sup> /h)	7					
Sound power level (dB(A))	46					
Declared typology	RVU BVU					
The annual electricity consumption (AEC) (kWh/a)	Cold		Average		Warm	
	116		116		116	
The annual heating saved (AHS) (kWh/a)	Cold		Average		Warm	
	84		43		19	