

Freshpoint Eco 160-E

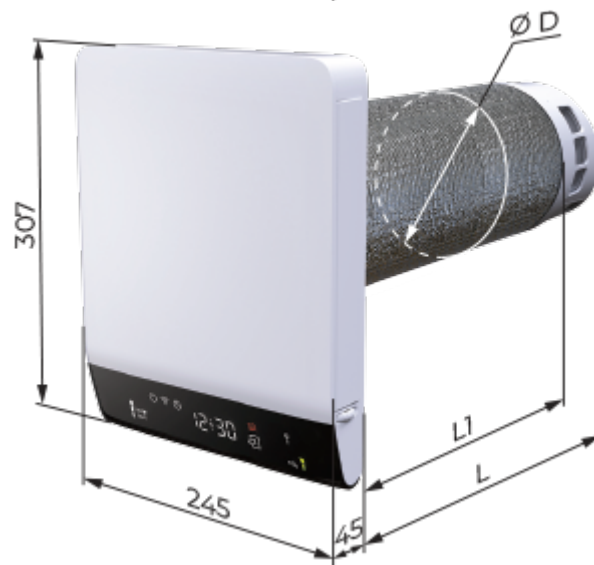
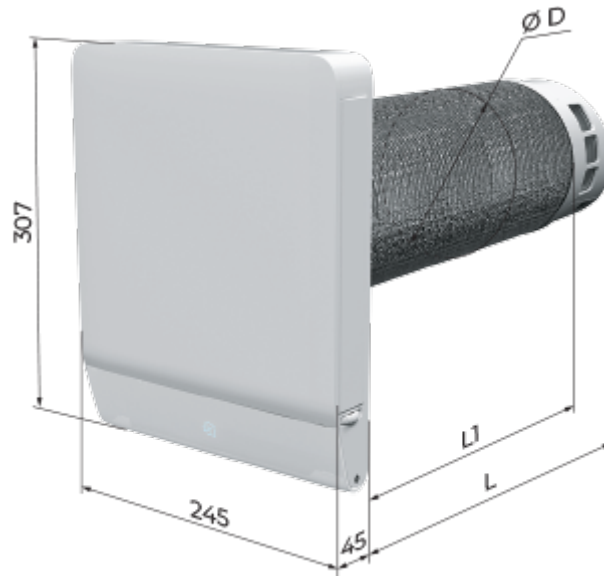
Smart HRV unit for single-room ventilation

- Power of electrical reheater: 160
- Air flow in heat recovery mode: 48
- Sound pressure level LpA at 3 m: 40
- Sound pressure level LpA at 1 m: 50
- Filter: G3
- Motor type: EC
- Reheater: Electric
- Control: Smartphone
- Casing material: ABS Plastic
- Temperature sensor

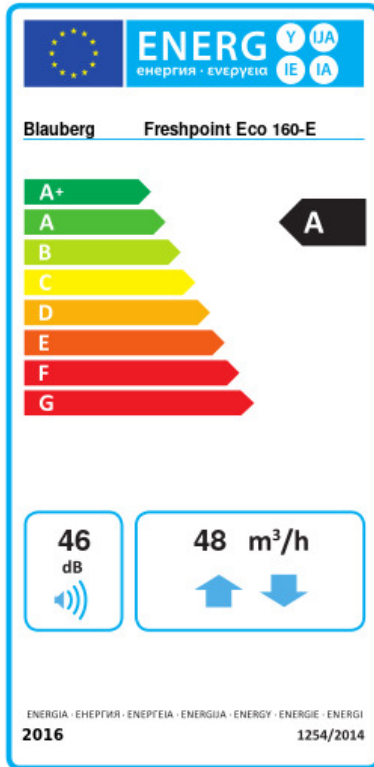
	Unit of measurement	Freshpoint Eco 160-E		
Speed	-	3		
Phases	-	1		
Minimum supply voltage	V	220		
Maximum supply voltage	V	240		
Power supply frequency	Hz	50/60		
Rated power	W	3	5	8
Power of electrical reheater	W	160		
Unit current	A	0.93	0.94	0.95
Maximum airflow	m ³ /h			
Air flow in ventilation mode	m ³ /h	10	30	48
Air flow in heat recovery mode	m ³ /h	10	30	48
Sound pressure level LpA at 3 m	dB(A)	14	27	40
Sound pressure level LpA at 1 m	dB(A)	24	36	50
Heat recovery efficiency, max	%	90		
Heat exchanger material	-	Ceramic		
Filter	-	G3		
Transported air temperature (max)	°C	50		
Transported air temperature (min)	°C	-30		
Ambient air humidity max	%	70		
Ingress protection rating	-	IPX4		

Dimensions

ØD	L	L1
162	540	439



Ecodesign



Trademark	Blaubeerg					
Model	Freshpoint Eco 160-E					
Specific energy consumption (SEC) (kWh/(m ² /a))	Cold		Average		Warm	
	77.2	A+	37.9	A	15.5	E
Type of ventilation unit	Bidirectional					
Type of drive installed	Variable speed					
Type of heat recovery system	Regenerative					
Thermal efficiency of heat recovery (%)	65					
Maximum flow rate (m ³ /h)	48					
Electric power input (W)	8					
Reference flow rate (m ³ /s)	0.01					
Specific power input (SPI) (W/(m ³ /h))	0.2					
Control typology	Local demand control					
Maximum internal leakage rates (%)	0.1					
Maximum external leakage rates (%)	0.9					
Mixing rate (%)	1					
Airflow sensitivity at +20 Pa and -20 Pa (%)	0.93					
The indoor/outdoor air tightness (m ³ /h)	7					
Sound power level (dB(A))	46					
Declared typology	RVU BVU					
The annual electricity consumption (AEC) (kWh/a)	Cold		Average		Warm	
	116		116		116	
The annual heating saved (AHS) (kWh/a)	Cold		Average		Warm	
	80		41		19	