

Freshpoint 160-E

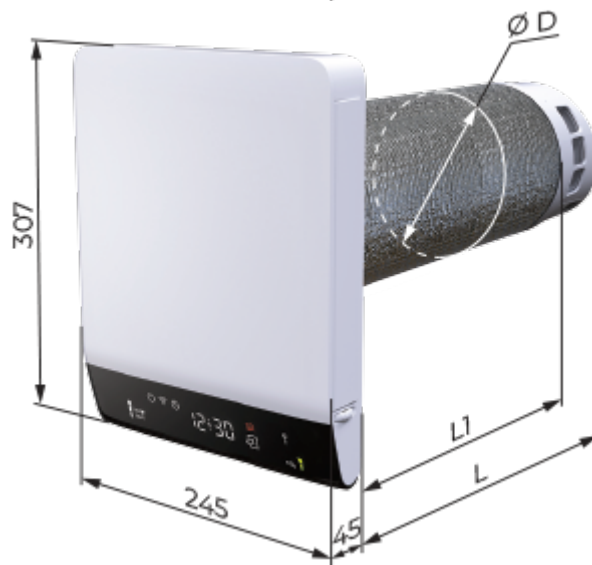
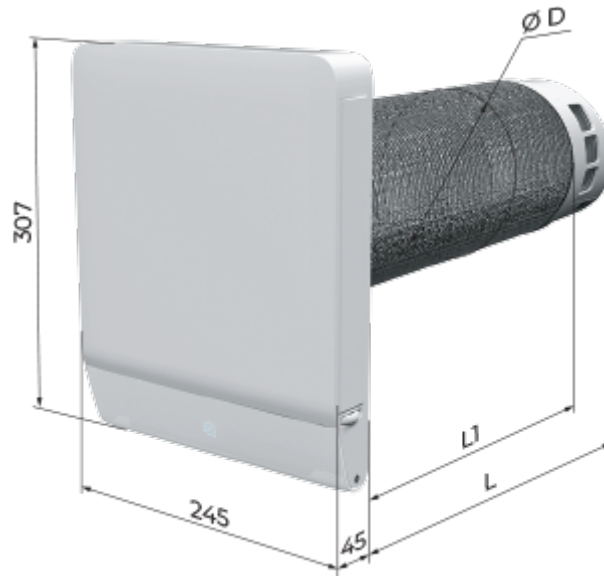
Smart HRV unit for single-room ventilation with air filtration, an electric heater, customizable air flow settings and a user-friendly interface

- Power of electrical preheater: 100
- Maximum airflow: 57
- Sound pressure level LpA at 3 m: 42
- Heat recovery efficiency: 88
- Filter: G3
- Motor type: EC
- Preheater: Electric
- Control: Smartphone
- Casing material: Plastic
- Humidity sensor
- Temperature sensor: Built-in

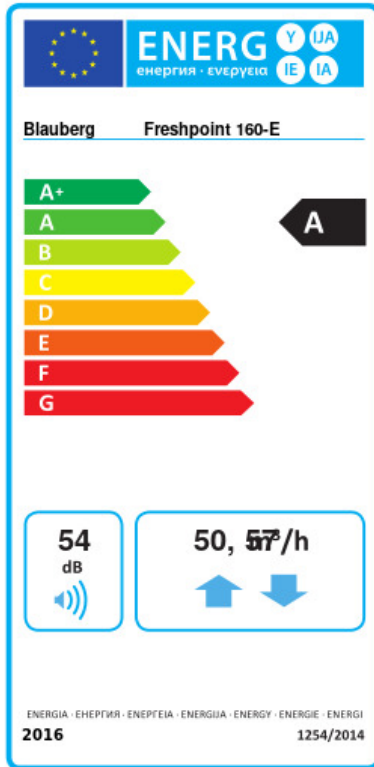
	Unit of measurement	Freshpoint 160-E
Connected air duct size	mm	160
Phases	-	1
Minimum supply voltage	V	230
Maximum supply voltage	V	230
Power supply frequency	Hz	50/60
Rated power	W	22
Power of electrical preheater	W	100
Unit current	A	0.62
Maximum airflow	m ³ /h	57
Sound pressure level LpA at 3 m	dB(A)	42
Heat recovery efficiency	%	88
Heat recovery efficiency, max	%	88
Heat exchanger material	-	Copper
Filter	-	G3
Transported air temperature (max)	°C	50
Transported air temperature (min)	°C	-30
Ingress protection rating	-	IPX4
Maximum wall thickness	mm	440

Dimensions

D	L	L1
162	540	440



Ecodesign



Trademark	Blaubeerg					
Model	Freshpoint 160-E					
Specific energy consumption (SEC) (kWh/(m ² /a))	Cold		Average		Warm	
	-67.8	A+	-35.1	A	-13.7	E
Type of ventilation unit	Bidirectional					
Type of drive installed	Variable speed					
Type of heat recovery system	Recuperative					
Thermal efficiency of heat recovery (%)	60					
Maximum flow rate (m ³ /h)	57					
Electric power input (W)	22					
Reference flow rate (m ³ /s)	0.011					
Specific power input (SPI) (W/(m ³ /h))	0.301					
Control typology	Local demand control					
Maximum internal leakage rates (%)	0.1					
Maximum external leakage rates (%)	0.9					
Mixing rate (%)	20					
Airflow sensitivity at +20 Pa and -20 Pa (%)	0.93					
The indoor/outdoor air tightness (m ³ /h)	7					
Sound power level (dB(A))	54					
Declared typology	RVU BVU					
The annual electricity consumption (AEC) (kWh/a)	Cold		Average		Warm	
	757		220		175	
The annual heating saved (AHS) (kWh/a)	Cold		Average		Warm	
	78		40		18	