



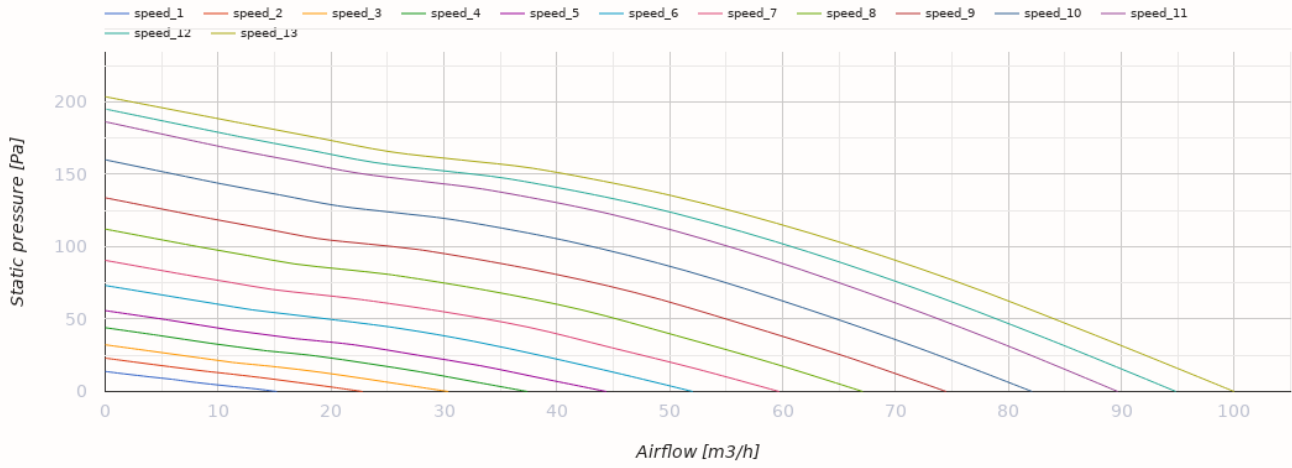
Freshbox E1-100 ERV WiFi

Single-room air handling units

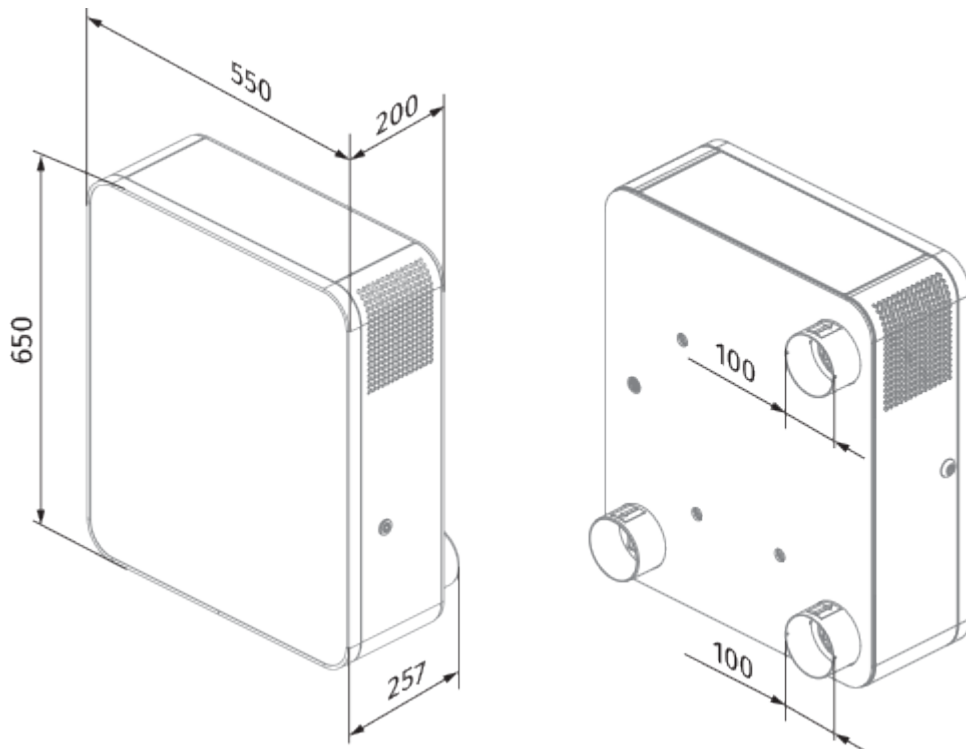
- Power of electrical reheater: 350
- Sound pressure level LpA at 3 m: 39
- Heat exchanger type: Counter flow
- Heat exchanger material: Enthalpy
- Sound-insulated casing
- Enthalpy heat exchanger
- Bypass: Auto
- Reheater: Electric
- Control: Built-in control panel, Smartphone
- Casing material: Coated steel
- Temperature sensor: Built-in

| | Unit of measurement | Freshbox E1-100 ERV WiFi | | | | |
|-----------------------------------|---------------------|--------------------------|----|----|----|-----|
| Connected air duct size | mm | 100 | | | | |
| Phases | - | 1 | | | | |
| Minimum supply voltage | V | 230 | | | | |
| Maximum supply voltage | V | 230 | | | | |
| Power supply frequency | Hz | 50/60 | | | | |
| Rated power | W | 20 | 23 | 29 | 37 | 53 |
| Power of electrical reheater | W | 350 | | | | |
| Unit current | A | 0.4 | | | | |
| Maximum airflow | m ³ /h | 30 | 44 | 60 | 75 | 100 |
| Rotation speed at 50hz | - | 2200 | | | | |
| Sound pressure level LpA at 3 m | dB(A) | 13 | 20 | 27 | 33 | 39 |
| Heat recovery efficiency | % | 96 | 94 | 89 | 85 | 83 |
| Heat exchanger type | - | Counter flow | | | | |
| Heat exchanger material | - | Enthalpy | | | | |
| Weight | kg | 31 | | | | |
| Transported air temperature (max) | °C | 40 | | | | |
| Transported air temperature (min) | °C | -20 | | | | |
| Ambient air temperature min | °C | 1 | | | | |
| Ambient air temperature max | °C | 40 | | | | |
| Ambient air humidity max | % | 70 | | | | |
| Ingress protection rating | - | IP22 | | | | |

| | | |
|--|---|---------|
| Ingress protection rating of the drive | - | IP44 |
| Article | - | 8050954 |




Dimensions





Accessories

CO2 sensors


| Name | Photo | Description |
|------|-------|-------------|
|------|-------|-------------|

| | | |
|----------------------|---|-------------|
| CD-1 |  | CO2 sensors |
| CD-2 |  | CO2 sensors |

Other accessories

| Name | Photo | Description |
|----------------------|---|-----------------|
| EH Freshbox 100 |  | Electric heater |
| FP 193x158x18 G4 PPI |  | G4 panel filter |

Humidity sensors

| Name | Photo | Description |
|----------------------|---|-------------------------------|
| HR-S |  | Electro-mechanical humidistat |