

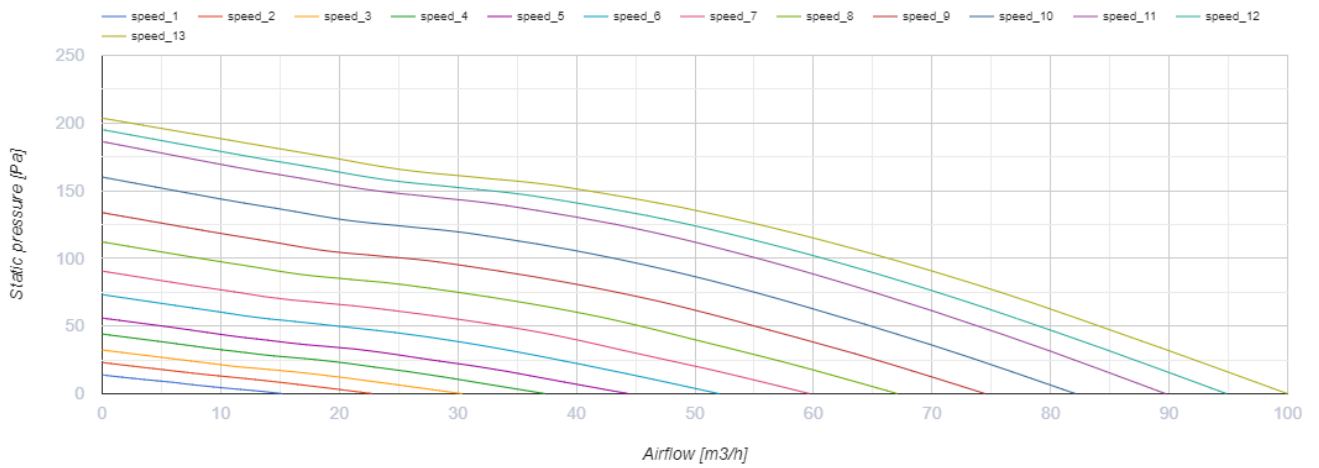


Freshbox 100 ERV WiFi

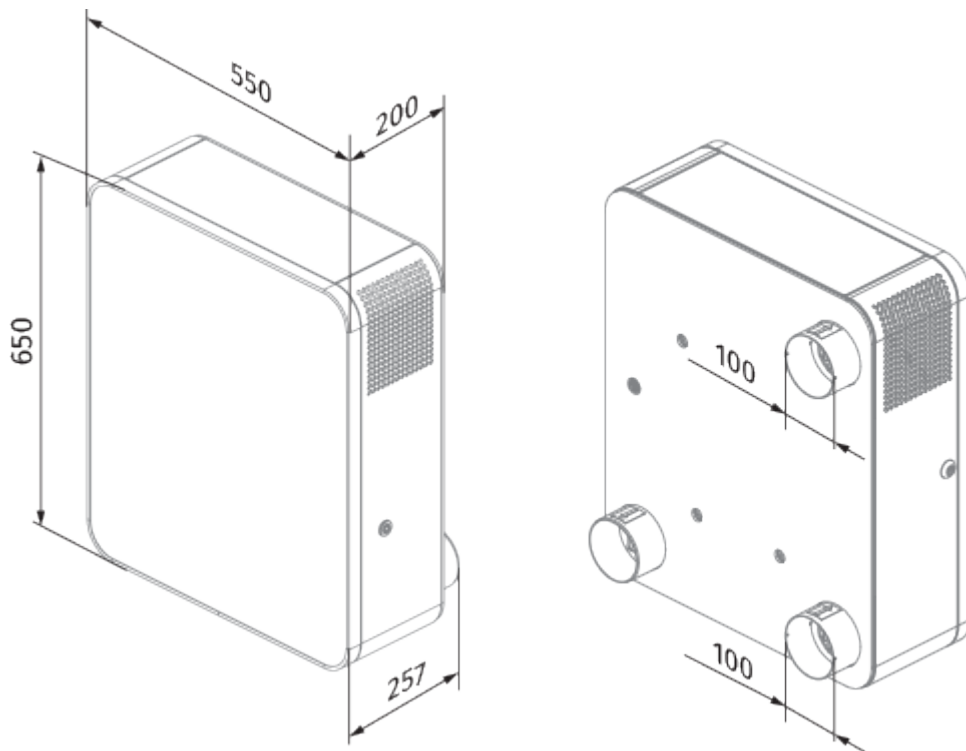
Single-room air handling units

- Maximum airflow: 100
- Sound pressure level LpA at 3 m: 39
- Heat recovery efficiency: 96
- Heat exchanger type: Counter flow
- Sound insulation
- Motor type: EC
- Enthalpy heat exchanger
- Bypass: Auto
- Control: Built-in control panel
- Casing material: Coated steel
- Temperature sensor: Built-in

	Unit of measurement	Freshbox 100 ERV WiFi				
Connected air duct size	mm	100				
Speed	-	5				
Minimum supply voltage	V	110				
Maximum supply voltage	V	240				
Power supply frequency	Hz	50/60				
Rated power	W	20	23	29	37	53
Unit current	A	0.4				
Maximum airflow	m ³ /h	30	44	60	75	100
Sound pressure level LpA at 3 m	dB(A)	13	20	27	33	39
Heat recovery efficiency	%	96	94	89	85	83
Heat exchanger type	-	Counter flow				
Heat exchanger material	-	Enthalpy				
Weight	kg	31				
Transported air temperature (max)	°C	40				
Transported air temperature (min)	°C	-20				
Ambient air temperature min	°C	1				
Ambient air temperature max	°C	40				
Ambient air humidity max	%	70				
Ingress protection rating	-	IP22				
Ingress protection rating of the drive	-	IP44				




Dimensions




Accessories

Other accessories

Name	Photo	Description
CD-1		CO2 sensors

CD-2		CO2 sensors
----------------------	---	-------------

Other accessories

Name	Photo	Description
EH Freshbox 100		Electric heater