

Extero 125

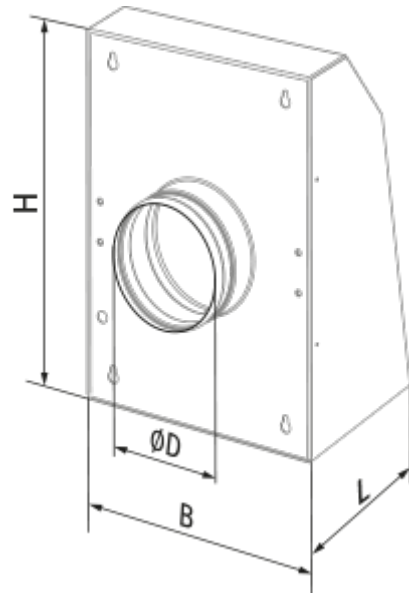
Exhaust centrifugal fans

- Maximum airflow: 485
- Sound pressure level LpA at 3 m: 54
- Motor type: AC
- Impeller type: Centrifugal backward curved blades
- Casing material: Coated steel
- Installation in any position

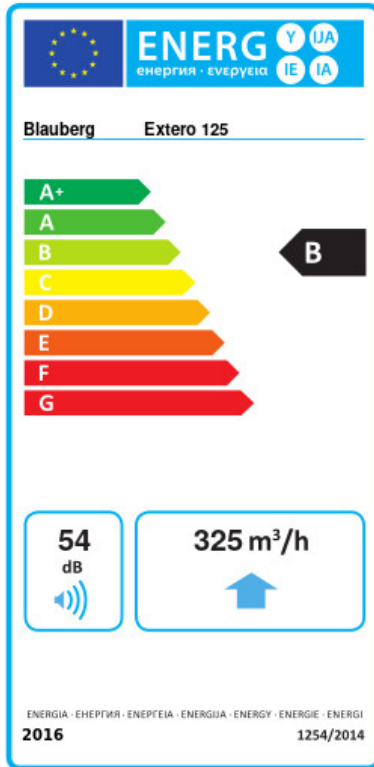
	Unit of measurement	Extero 125
Connected air duct size	mm	125
Speed	-	1
Minimum supply voltage	V	230
Maximum supply voltage	V	230
Power supply frequency	Hz	50/60
Rated power	W	75
Unit current	A	0.33
Maximum airflow	m ³ /h	485
Sound pressure level LpA at 3 m	dB(A)	54
Weight	kg	3.82
Transported air temperature (max)	°C	55
Ingress protection rating	-	IPX4
Ingress protection rating of the drive	-	IP44

Dimensions

ØD	B	H	L
124	260	355	138



Ecodesign



Trademark	Blaubeerg					
Model	Extero 125					
Specific energy consumption (SEC) (kWh/(m ² /a))	Cold		Average		Warm	
	-53.4	A+	-26.4	B	-10.9	E
Type of ventilation unit	Unidirectional					
Type of drive installed	Variable speed					
Type of heat recovery system	None					
Maximum flow rate (m ³ /h)	325					
Electric power input (W)	60					
Reference flow rate (m ³ /s)	0.063					
Reference pressure difference (Pa)	50					
Specific power input (SPI) (W/(m ³ /h))	0.145					
Control typology	Local demand control					
Maximum external leakage rates (%)	2.7					
Declared typology	RVU UVU					
Sound power level (dB(A))	54					
The annual electricity consumption (AEC) (kWh/a)	Cold		Average		Warm	
	77		77		77	
The annual heating saved (AHS) (kWh/a)	Cold		Average		Warm	
	5536		2830		1280	

Accessories

Thyristor speed controllers

Name	Photo	Description
CDT E1.8		Thyristor speed controller