

# Ducto-U Power Plus 150

Low noise axial inline fans for exhaust or supply ventilation with superior air flow

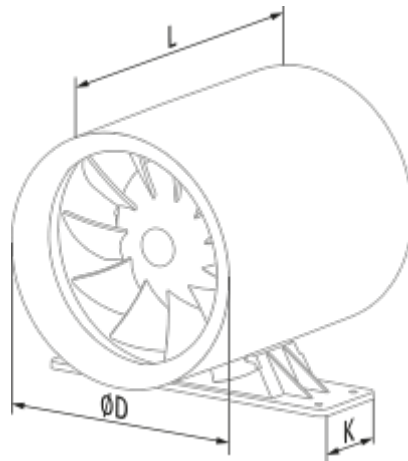


- Maximum airflow: 375
- Sound pressure level LpA at 3 m: 41
- Motor type: AC
- Casing material: Plastic
- Backdraft protection: Backdraft damper

	Unit of measurement	Ducto-U Power Plus 150	
Connected air duct size	mm	150	
Speed	-	2	
Minimum supply voltage	V	220	
Maximum supply voltage	V	240	
Power supply frequency	Hz	50	
Rated power	W	22	25
Unit current	A	0.103	0.109
Maximum airflow	m <sup>3</sup> /h	285	375
Sound pressure level LpA at 3 m	dB(A)	36	41
Weight	kg	1.3	
Ambient air temperature min	°C	1	
Ambient air temperature max	°C	40	
Ingress protection rating	-	IPX4	


## Dimensions

L	ØD	K
181.5	150	53.5



## Accessories

### Other accessories

Name	Photo	Description
<a href="#">CDT E1.8</a>		Thyristor speed controller