

Ducto-U Plus 150

Low noise axial inline fans for exhaust or supply ventilation with superior air flow

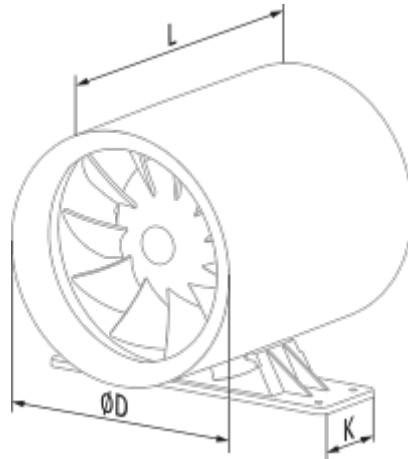


- Maximum airflow: 335
- Sound pressure level LpA at 3 m: 39
- Motor type: AC
- Casing material: Plastic
- Backdraft protection: Backdraft damper

	Unit of measurement	Ducto-U Plus 150	
Connected air duct size	mm	150	
Speed	-	2	
Minimum supply voltage	V	220	
Maximum supply voltage	V	240	
Power supply frequency	Hz	50	
Rated power	W	19	22
Unit current	A	0.087	0.095
Maximum airflow	m ³ /h	250	335
Sound pressure level LpA at 3 m	dB(A)	36	39
Weight	kg	1.3	
Ambient air temperature min	°C	1	
Ambient air temperature max	°C	40	
Ingress protection rating	-	IPX4	


Dimensions

L	ØD	K
181.5	150	53.5



Accessories

Thyristor speed controllers

Name	Photo	Description
CDT E1.8		Thyristor speed controller