

Ducto-U Plus 125

Low noise axial inline fans for exhaust or supply ventilation with superior air flow

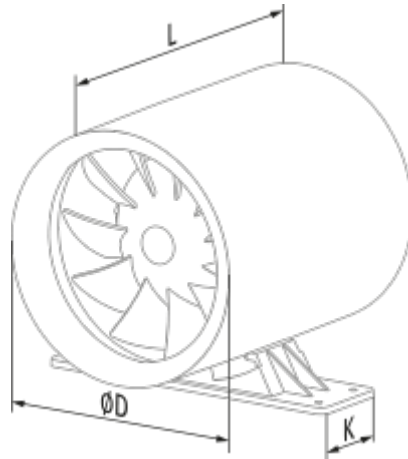


- Maximum airflow: 197
- Sound pressure level LpA at 3 m: 32
- Motor type: AC
- Casing material: Plastic
- Backdraft protection: Backdraft damper

	Unit of measurement	Ducto-U Plus 125	
Connected air duct size	mm	125	
Speed	-	2	
Minimum supply voltage	V	220	
Maximum supply voltage	V	240	
Power supply frequency	Hz	50	
Rated power	W	10	13
Unit current	A	0.065	0.085
Maximum airflow	m ³ /h	145	197
Sound pressure level LpA at 3 m	dB(A)	29	32
Weight	kg	0.75	
Ambient air temperature min	°C	1	
Ambient air temperature max	°C	40	
Ingress protection rating	-	IPX4	


Dimensions

L	ØD	K
161.5	125	53.5



Accessories

Other accessories

Name	Photo	Description
CDT E1.8		Thyristor speed controller