

Ducto-U Plus 100

Low noise axial inline fans for exhaust or supply ventilation with superior air flow

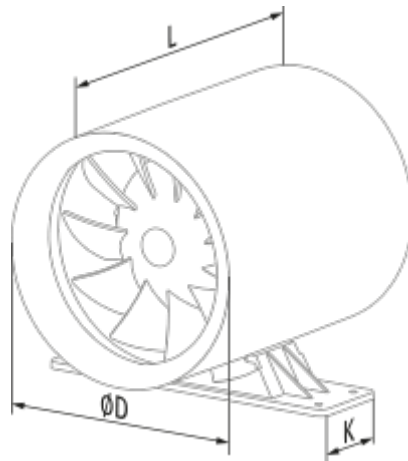


- Maximum airflow: 100
- Sound pressure level LpA at 3 m: 25
- Motor type: AC
- Casing material: Plastic
- Backdraft protection: Backdraft damper

	Unit of measurement	Ducto-U Plus 100	
Connected air duct size	mm	100	
Speed	-	2	
Minimum supply voltage	V	220	
Maximum supply voltage	V	240	
Power supply frequency	Hz	50	
Rated power	W	4.5	7.5
Unit current	A	0.029	0.049
Maximum airflow	m ³ /h	75	100
Sound pressure level LpA at 3 m	dB(A)	22	25
Weight	kg	0.61	
Ambient air temperature min	°C	1	
Ambient air temperature max	°C	40	
Ingress protection rating	-	IPX4	


Dimensions

L	ØD	K
137.5	100	53.5



Accessories

Other accessories

Name	Photo	Description
CDT E1.8		Thyristor speed controller