

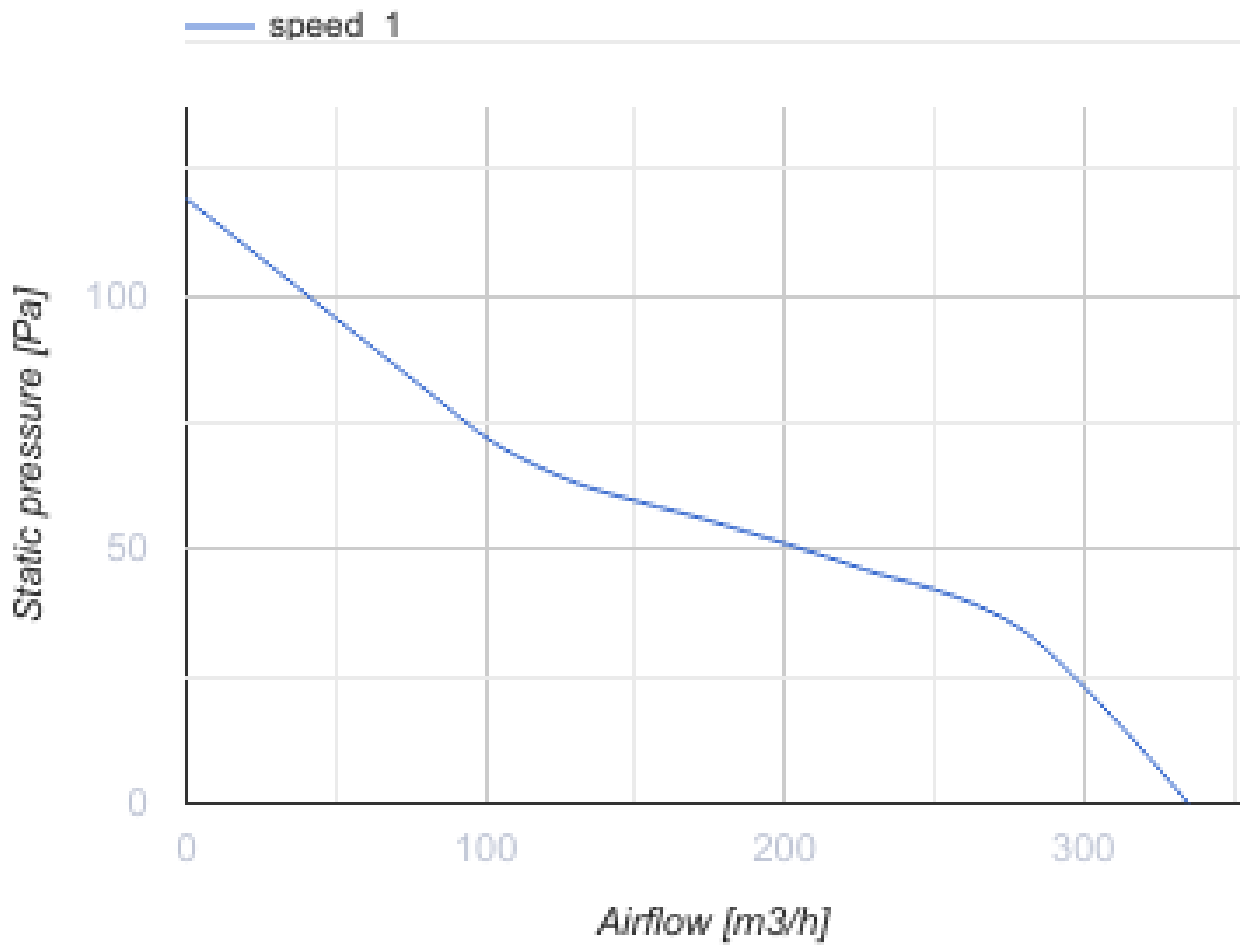
Ducto-U 150 T

Low noise axial inline fans for exhaust or supply ventilation with superior air flow



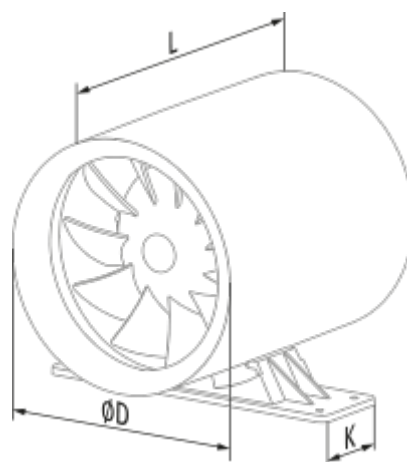
- Maximum airflow: 335
- Sound pressure level LpA at 3 m: 39
- Motor type: AC
- Casing material: Plastic
- Backdraft protection: Backdraft damper
- Timer: Turn off timer

	Unit of measurement	Ducto-U 150 T
Connected air duct size	mm	150
Speed	-	1
Phases	-	1
Minimum supply voltage	V	220
Maximum supply voltage	V	240
Power supply frequency	Hz	50
Rated power	W	22
Unit current	A	0.095
Maximum airflow	m ³ /h	335
rotation speed at 50hz	-	
Sound pressure level LpA at 3 m	dB(A)	39
Weight	kg	1.3
Ambient air temperature min	°C	1
Ambient air temperature max	°C	40
Ingress protection rating	-	IPX4




Dimensions

L	ØD	K
181.5	150	53.5



Accessories

Thyristor speed controllers

Name	Photo	Description
CDT E1.8	 A photograph of the CDT E1.8 thyristor speed controller, showing a white rectangular unit with a circular dial and a small square component below it.	Thyristor speed controller