

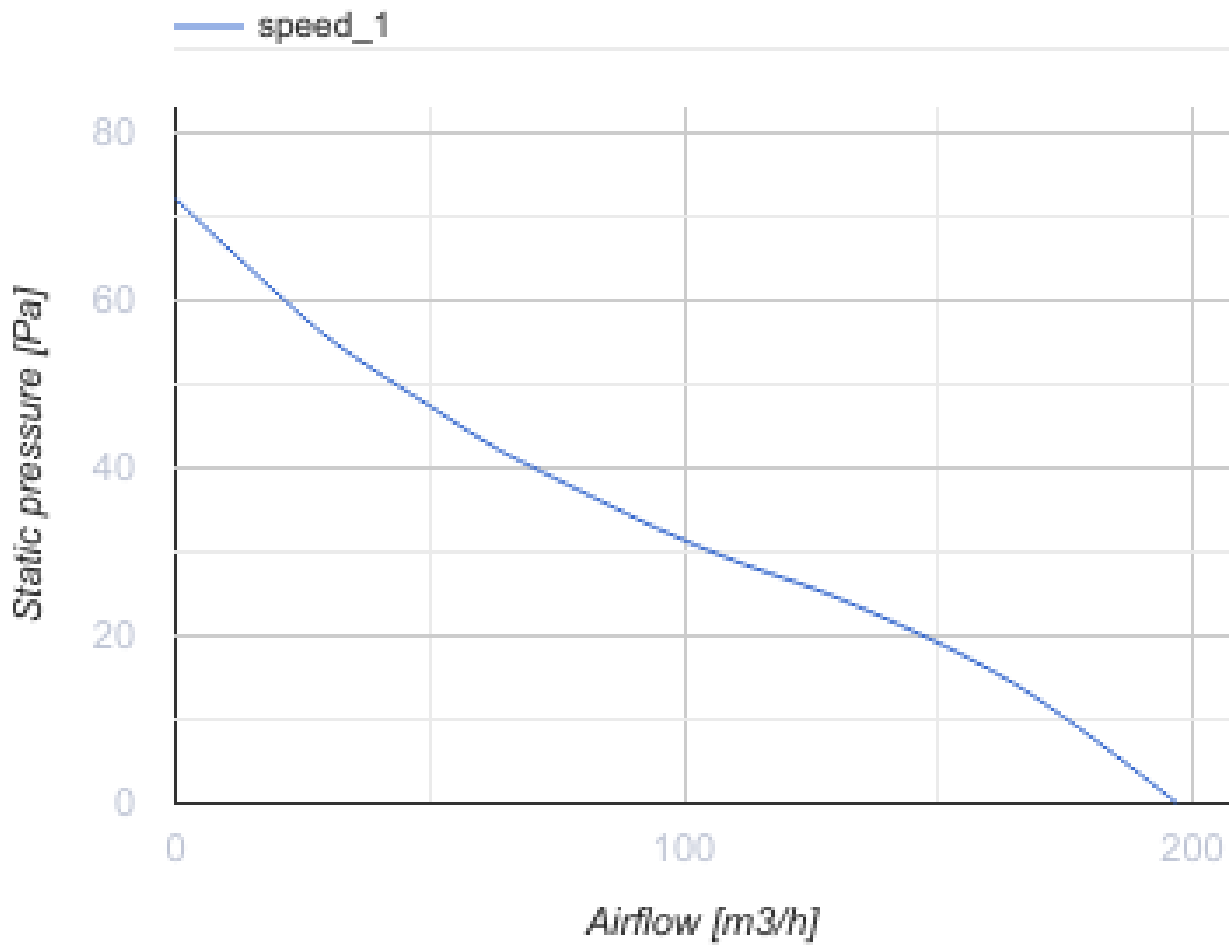
Ducto-U 125

Low noise axial inline fans for exhaust or supply ventilation with superior air flow



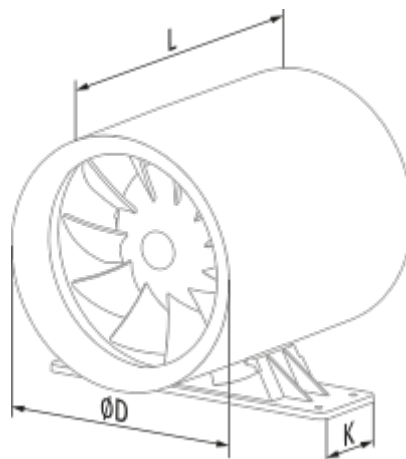
- Maximum airflow: 197
- Sound pressure level LpA at 3 m: 32
- Motor type: AC
- Casing material: Plastic
- Backdraft protection: Backdraft damper

	Unit of measurement	Ducto-U 125
Connected air duct size	mm	125
Speed	-	1
Minimum supply voltage	V	220
Maximum supply voltage	V	240
Power supply frequency	Hz	50
Rated power	W	13
Unit current	A	0.085
Maximum airflow	m ³ /h	197
Sound pressure level LpA at 3 m	dB(A)	32
Weight	kg	0.75
Ambient air temperature min	°C	1
Ambient air temperature max	°C	40
Ingress protection rating	-	IPX4




Dimensions

L	ØD	K
161.5	125	53.5



Accessories

Thyristor speed controllers

Name	Photo	Description
CDT E1.8	 A photograph of a white, square-shaped thyristor speed controller with a circular dial on the front and a small rectangular component below it.	Thyristor speed controller