

Ducto Plus 150

Low noise axial inline fans for exhaust or supply ventilation with superior air flow

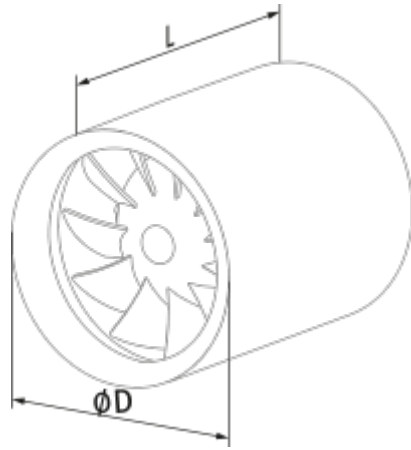


- Maximum airflow: 335
- Sound pressure level LpA at 3 m: 39
- Motor type: AC
- Casing material: Plastic
- Backdraft protection: Backdraft damper

	Unit of measurement	Ducto Plus 150	
Connected air duct size	mm	150	
Speed	-	2	
Minimum supply voltage	V	220	
Maximum supply voltage	V	240	
Power supply frequency	Hz	50	
Rated power	W	19	22
Unit current	A	0.087	0.095
Maximum airflow	m ³ /h	250	335
Sound pressure level LpA at 3 m	dB(A)	36	39
Weight	kg	1.3	
Ambient air temperature min	°C	1	
Ambient air temperature max	°C	40	
Ingress protection rating	-	IPX4	

Dimensions

L	ØD
181.5	150



Ecodesign



Trademark	Blauberg					
Model	Ducto Plus 150					
Specific energy consumption (SEC) (kWh/(m ² /a))	Cold		Average		Warm	
	-31.2	B	-14.8	E	-5.4	F
Type of ventilation unit	Unidirectional					
Type of drive installed	2-speed					
Type of heat recovery system	None					
Maximum flow rate (m ³ /h)	340					
Electric power input (W)	22					
Reference flow rate (m ³ /s)	0.069					
Specific power input (SPI) (W/(m ³ /h))	0.076					
Control typology	Manual control					
Maximum external leakage rates (%)	2.7					
Declared typology	RVU UVU					
Sound power level (dB(A))	56					
The annual electricity consumption (AEC) (kWh/a)	Cold		Average		Warm	
	95		95		95	
The annual heating saved (AHS) (kWh/a)	Cold		Average		Warm	
	3355		1715		776	

Accessories

Other accessories

Name	Photo	Description
CDT E1.8		Thyristor speed controller