

Ducto Plus 125

Low noise axial inline fans for exhaust or supply ventilation with superior air flow

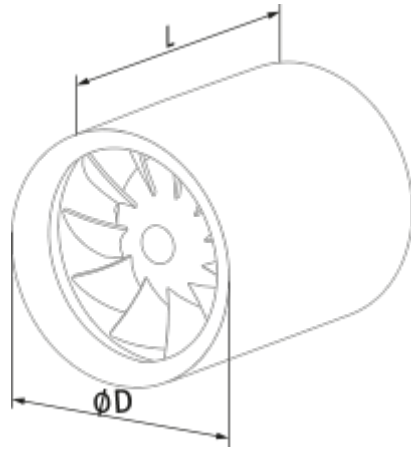


- Maximum airflow: 197
- Sound pressure level LpA at 3 m: 32
- Motor type: AC
- Casing material: Plastic
- Backdraft protection: Backdraft damper

	Unit of measurement	Ducto Plus 125	
Connected air duct size	mm	125	
Speed	-	2	
Minimum supply voltage	V	220	
Maximum supply voltage	V	240	
Power supply frequency	Hz	50	
Rated power	W	10	13
Unit current	A	0.065	0.085
Maximum airflow	m ³ /h	145	197
Sound pressure level LpA at 3 m	dB(A)	29	32
Weight	kg	0.75	
Ambient air temperature min	°C	1	
Ambient air temperature max	°C	40	
Ingress protection rating	-	IPX4	

Dimensions

L	ØD
161.5	125




Ecodesign



Trademark	Blauberg					
Model	Ducto Plus 125					
Specific energy consumption (SEC) (kWh/(m ² /a))	Cold		Average		Warm	
	-31.5	B	-15.1	E	-5.7	F
Type of ventilation unit	Unidirectional					
Type of drive installed	2-speed					
Type of heat recovery system	None					
Maximum flow rate (m ³ /h)	215					
Electric power input (W)	13					
Reference flow rate (m ³ /s)	0.043					
Specific power input (SPI) (W/(m ³ /h))	0.065					
Control typology	Manual control					
Maximum external leakage rates (%)	2.7					
Sound power level (dB(A))	49					
Declared typology	RVU UVU					
The annual electricity consumption (AEC) (kWh/a)	Cold		Average		Warm	
	81		81		81	
The annual heating saved (AHS) (kWh/a)	Cold		Average		Warm	
	3355		1715		776	

Accessories

Thyristor speed controllers

Name	Photo	Description
CDT E1.8		Thyristor speed controller