

Ducto Plus 100

Low noise axial inline fans for exhaust or supply ventilation with superior air flow

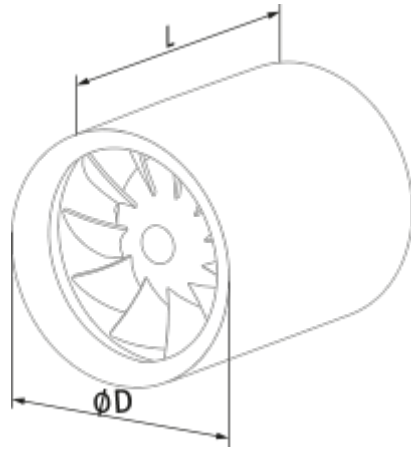


- Maximum airflow: 100
- Sound pressure level LpA at 3 m: 25
- Motor type: AC
- Casing material: Plastic
- Backdraft protection: Backdraft damper

	Unit of measurement	Ducto Plus 100	
Connected air duct size	mm	100	
Speed	-	2	
Minimum supply voltage	V	220	
Maximum supply voltage	V	240	
Power supply frequency	Hz	50	
Rated power	W	4.5	7.5
Unit current	A	0.029	0.049
Maximum airflow	m ³ /h	75	100
Sound pressure level LpA at 3 m	dB(A)	22	25
Weight	kg	0.61	
Ambient air temperature min	°C	1	
Ambient air temperature max	°C	40	
Ingress protection rating	-	IPX4	

Dimensions

L	ØD
137.5	100



Ecodesign



Trademark	Blauberg					
Model	Ducto Plus 100					
Specific energy consumption (SEC) (kWh/(m ² /a))	Cold		Average		Warm	
	-31.7	B	-15.3	E	-5.9	F
Type of ventilation unit	Unidirectional					
Type of drive installed	2-speed					
Type of heat recovery system	None					
Maximum flow rate (m ³ /h)	110					
Electric power input (W)	7.5					
Reference flow rate (m ³ /s)	0.021					
Specific power input (SPI) (W/(m ³ /h))	0.06					
Control typology	Manual control					
Maximum external leakage rates (%)	2.7					
Declared typology	RVU UVU					
Sound power level (dB(A))	42					
The annual electricity consumption (AEC) (kWh/a)	Cold		Average		Warm	
	75		75		75	
The annual heating saved (AHS) (kWh/a)	Cold		Average		Warm	
	3355		1715		776	

Accessories

Thyristor speed controllers

Name	Photo	Description
CDT E1.8		Thyristor speed controller