

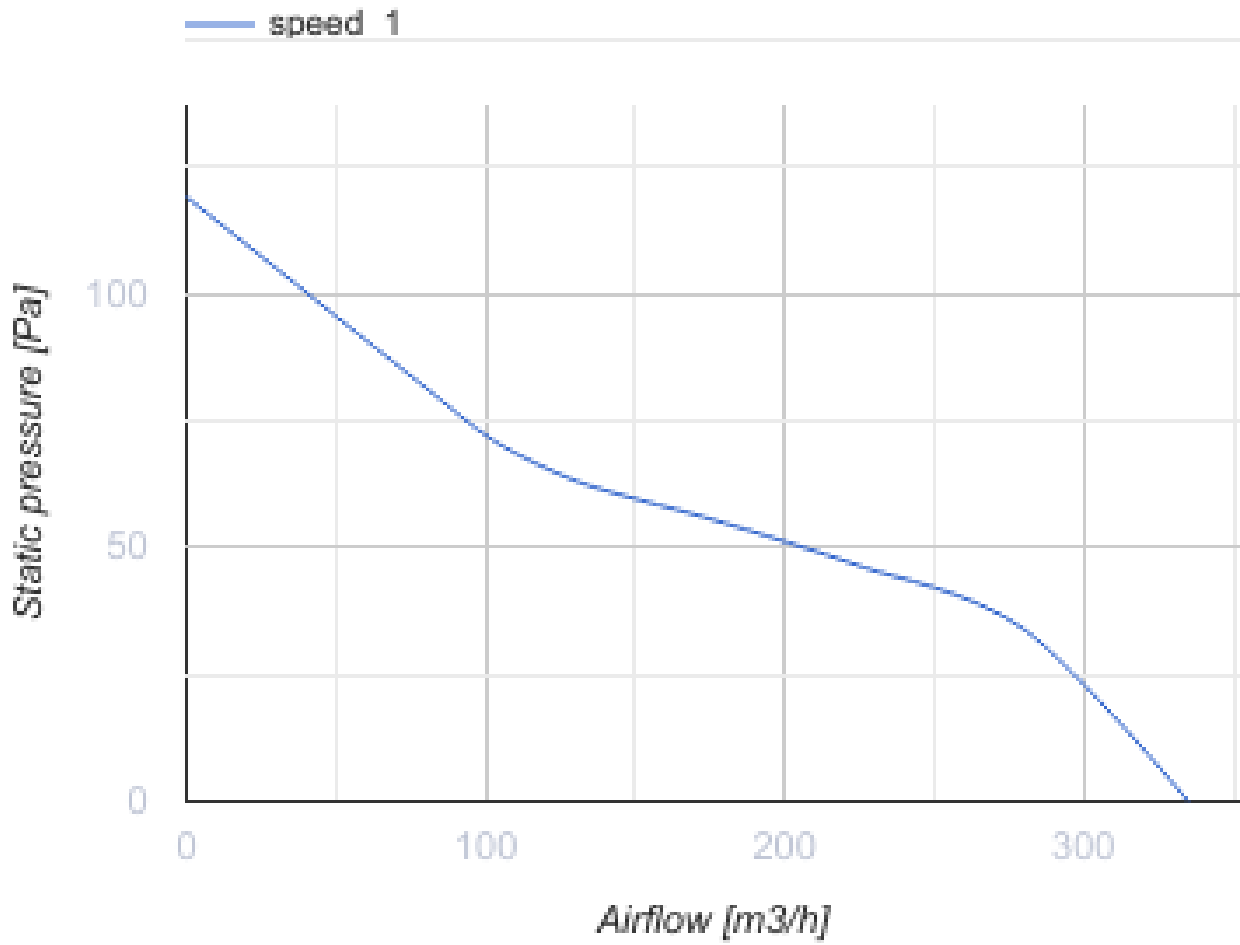
Ducto 150 T

Low noise axial inline fans for exhaust or supply ventilation with superior air flow



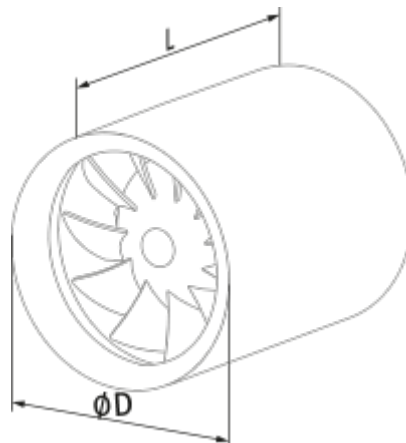
- Maximum airflow: 335
- Sound pressure level LpA at 3 m: 39
- Motor type: AC
- Casing material: Plastic
- Backdraft protection: Backdraft damper
- Timer: Turn off timer

	Unit of measurement	Ducto 150 T
Connected air duct size	mm	150
Speed	-	1
Phases	-	1
Minimum supply voltage	V	220
Maximum supply voltage	V	240
Power supply frequency	Hz	50
Rated power	W	22
Unit current	A	0.095
Maximum airflow	m ³ /h	335
rotation speed at 50hz	-	
Sound pressure level LpA at 3 m	dB(A)	39
Weight	kg	1.3
Ambient air temperature min	°C	1
Ambient air temperature max	°C	40
Ingress protection rating	-	IPX4



Dimensions

L	ØD
181.5	150




Ecodesign



Trademark	Blauberg					
Model	Ducto 150 T					
Specific energy consumption (SEC) (kWh/(m ² /a))	Cold		Average		Warm	
	-31.5	B	-15.1	E	-5.7	F
Type of ventilation unit	Unidirectional					
Type of drive installed	Single speed					
Type of heat recovery system	None					
Maximum flow rate (m ³ /h)	340					
Electric power input (W)	22					
Reference flow rate (m ³ /s)	0.066					
Specific power input (SPI) (W/(m ³ /h))	0.065					
Control typology	Manual control					
Maximum external leakage rates (%)	2.7					
Declared typology	RVU UVU					
Sound power level (dB(A))	59					
The annual electricity consumption (AEC) (kWh/a)	Cold		Average		Warm	
	81		81		81	
The annual heating saved (AHS) (kWh/a)	Cold		Average		Warm	
	3355		1715		776	

Accessories

Thyristor speed controllers

Name	Photo	Description
CDT E1.8		Thyristor speed controller