

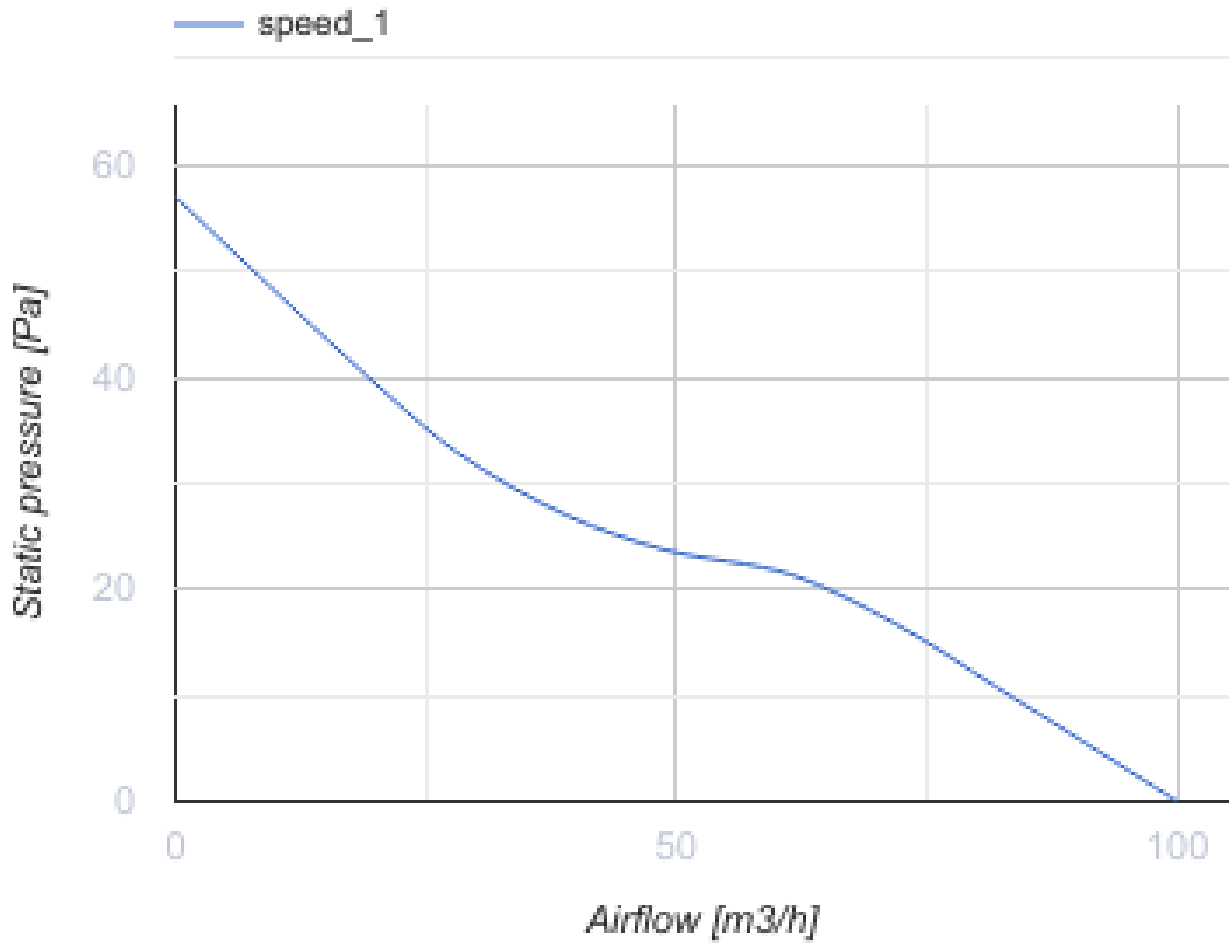
Ducto 100

Low noise axial inline fans for exhaust or supply ventilation with superior air flow



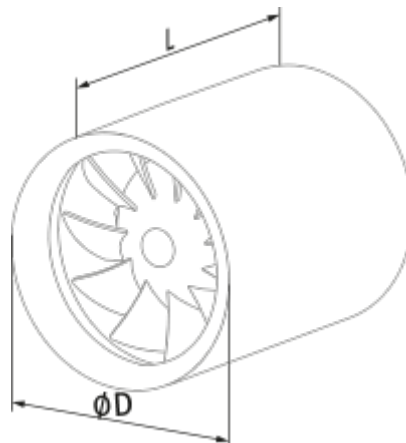
- Maximum airflow: 100
- Sound pressure level LpA at 3 m: 25
- Motor type: AC
- Casing material: Plastic
- Backdraft protection: Backdraft damper

	Unit of measurement	Ducto 100
Connected air duct size	mm	100
Speed	-	1
Minimum supply voltage	V	220
Maximum supply voltage	V	240
Power supply frequency	Hz	50
Rated power	W	7.5
Unit current	A	0.049
Maximum airflow	m ³ /h	100
Sound pressure level LpA at 3 m	dB(A)	25
Weight	kg	0.61
Ambient air temperature min	°C	1
Ambient air temperature max	°C	40
Ingress protection rating	-	IPX4



Dimensions

L	ØD
137.5	100



Ecodesign



Trademark	Blauberg					
Model	Ducto 100					
Specific energy consumption (SEC) (kWh/(m ² /a))	Cold		Average		Warm	
	-31.4	B	-15	E	-5.6	F
Type of ventilation unit	Unidirectional					
Type of drive installed	Single speed					
Type of heat recovery system	None					
Maximum flow rate (m ³ /h)	110					
Electric power input (W)	7.5					
Reference flow rate (m ³ /s)	0.021					
Specific power input (SPI) (W/(m ³ /h))	0.068					
Control typology	Manual control					
Maximum external leakage rates (%)	2.7					
Declared typology	RVU UVU					
Sound power level (dB(A))	45					
The annual electricity consumption (AEC) (kWh/a)	Cold	Average		Warm		
	85	85		85		
The annual heating saved (AHS) (kWh/a)	Cold	Average		Warm		
	3355	1715		776		

Accessories

Other accessories

Name	Photo	Description
CDT E1.8		Thyristor speed controller