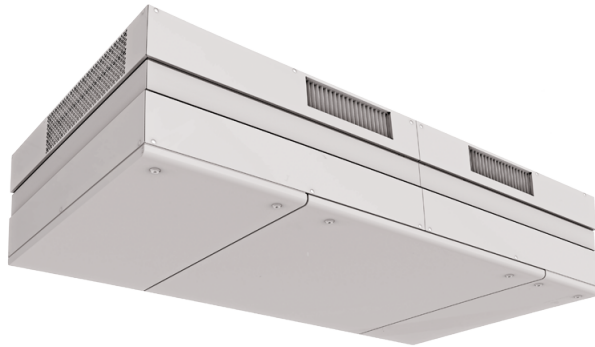


# CIVIC EC DB 1000 S21

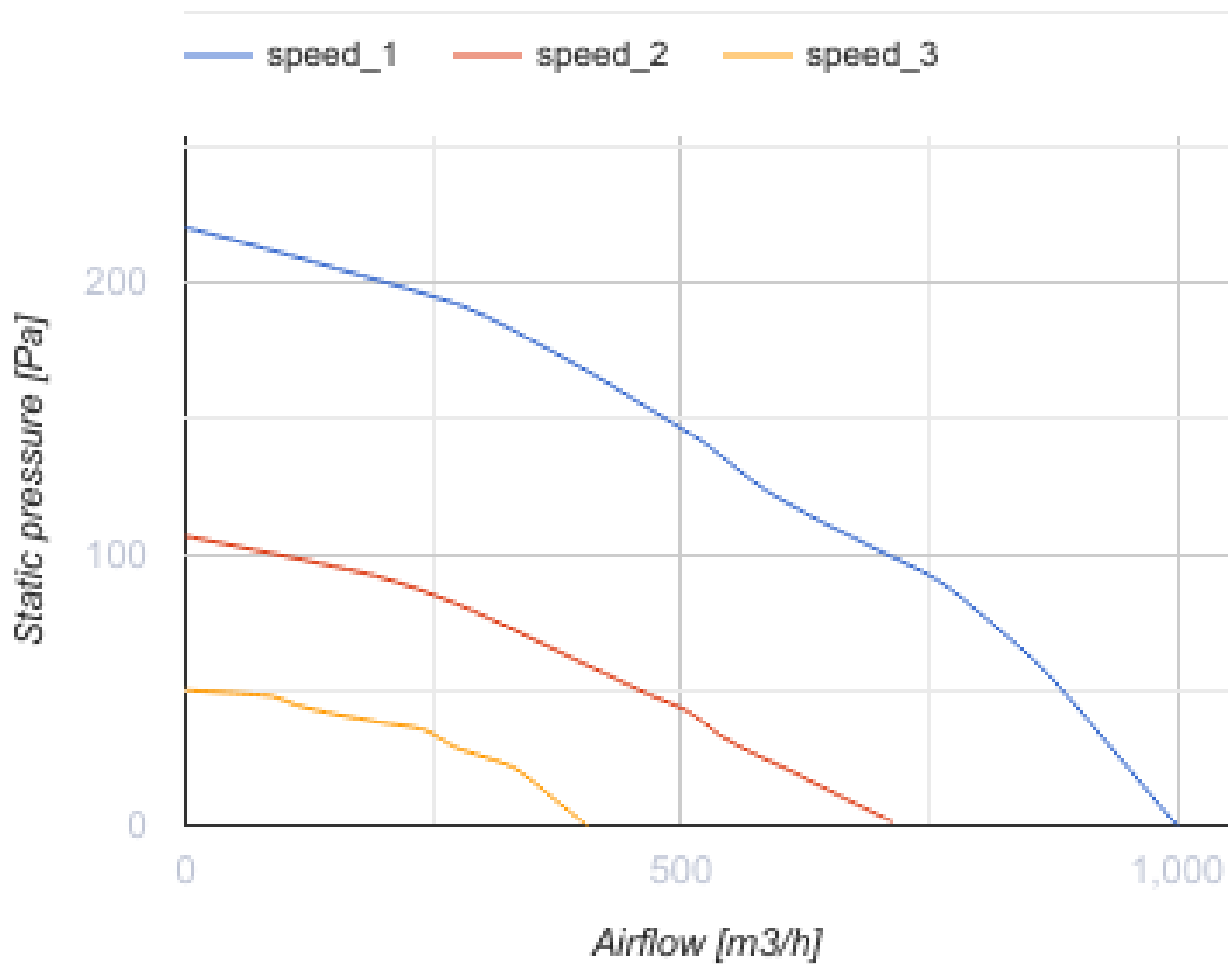
The CIVIC EC DB units are designed for single-room ventilation of schools, offices and other public and commercial premises



- Maximum airflow: 1000
- Sound pressure level LpA at 3 m: 24
- Sound pressure level LpA at 1 m: 34
- Heat exchanger type: Counter flow
- Extract filter: G4 x 2
- Supply filter: G4x2 + (option: F7 x 2), G4x2 + (опция: F7 x 2)
- Motor type: EC
- Bypass: Auto
- BMS protocol: ModBus
- Control: Smartphone
- Casing material: Coated steel
- Humidity sensor: Optional
- CO2 sensor: Optional
- VOC sensor: Optional
- PM2.5 sensor: Optional
- Temperature sensor: Built-in

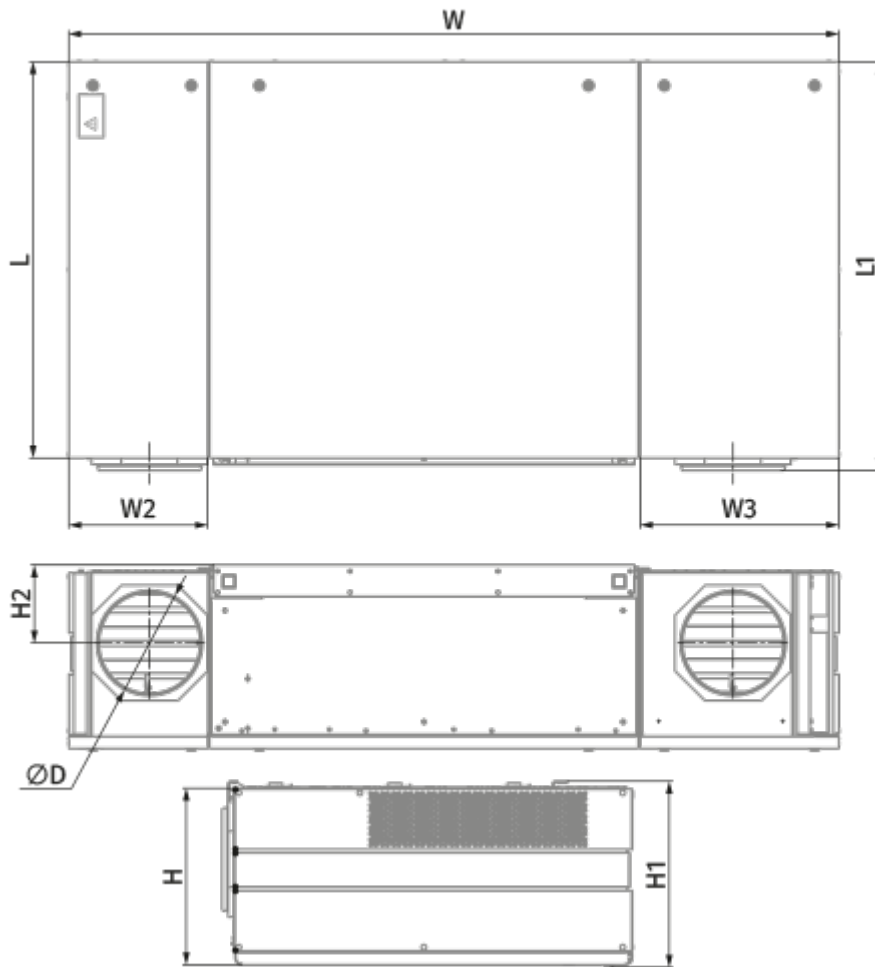
	Unit of measurement	CIVIC EC DB 1000 S21
Connected air duct size	mm	315
Speed	-	1
Phases	-	1
Minimum supply voltage	V	230
Maximum supply voltage	V	230
Power supply frequency	Hz	50/60
Rated power	W	260
Unit current	A	1.85
Maximum airflow	m <sup>3</sup> /h	1000
rotation speed at 50hz	-	2070
Sound pressure level LpA at 3 m	dB(A)	24
Sound pressure level LpA at 1 m	dB(A)	34
Heat recovery efficiency, max	%	93
Heat exchanger type	-	Counter flow
Heat exchanger material	-	Polystyrene
Weight	kg	267
Extract filter	-	G4 x 2
Supply filter	-	G4x2 + (option: F7 x 2), G4x2 + (опция: F7 x 2)

Transported air temperature (max)	°C	40
Transported air temperature (min)	°C	-25
Ambient air temperature min	°C	1
Ambient air temperature max	°C	40
Ambient air humidity max	%	60
Ingress protection rating	-	IP20
Ingress protection rating of the drive	-	IP44



## Dimensions

Ø D	H	H1	H2	L	L1	W	W2	W3
312	581	567	237	1202	1242	2327	421	601




## Accessories

### Other accessories




Name	Photo	Description
FP 480x327x48 G4		G4 panel filter
FP 480x327x48 F7		F7 panel filter

### Metal



Name	Photo	Description
------	-------	-------------

<a href="#">VDA 315 CFn Al</a>		Metal grilles for decoration of exhaust vents in residential, public and industrial buildings
--------------------------------	---	---


### Control Panels

Name	Photo	Description
<a href="#">S22</a>		Control panels
<a href="#">S22 Wi-Fi</a>		Control panels
<a href="#">S25</a>		LCD control panel



### CO2 sensors

Name	Photo	Description
<a href="#">CD-1</a>		CO2 sensors
<a href="#">CD-2</a>		CO2 sensors

### Humidity sensors

Name	Photo	Description
<a href="#">FS2</a>		Humidity sensor

### Condensation drainage

Name	Photo	Description
<a href="#">SFK 20x32</a>		Hydraulic syphon for condensate drainage
<a href="#">CP-2</a>		Drain pump