

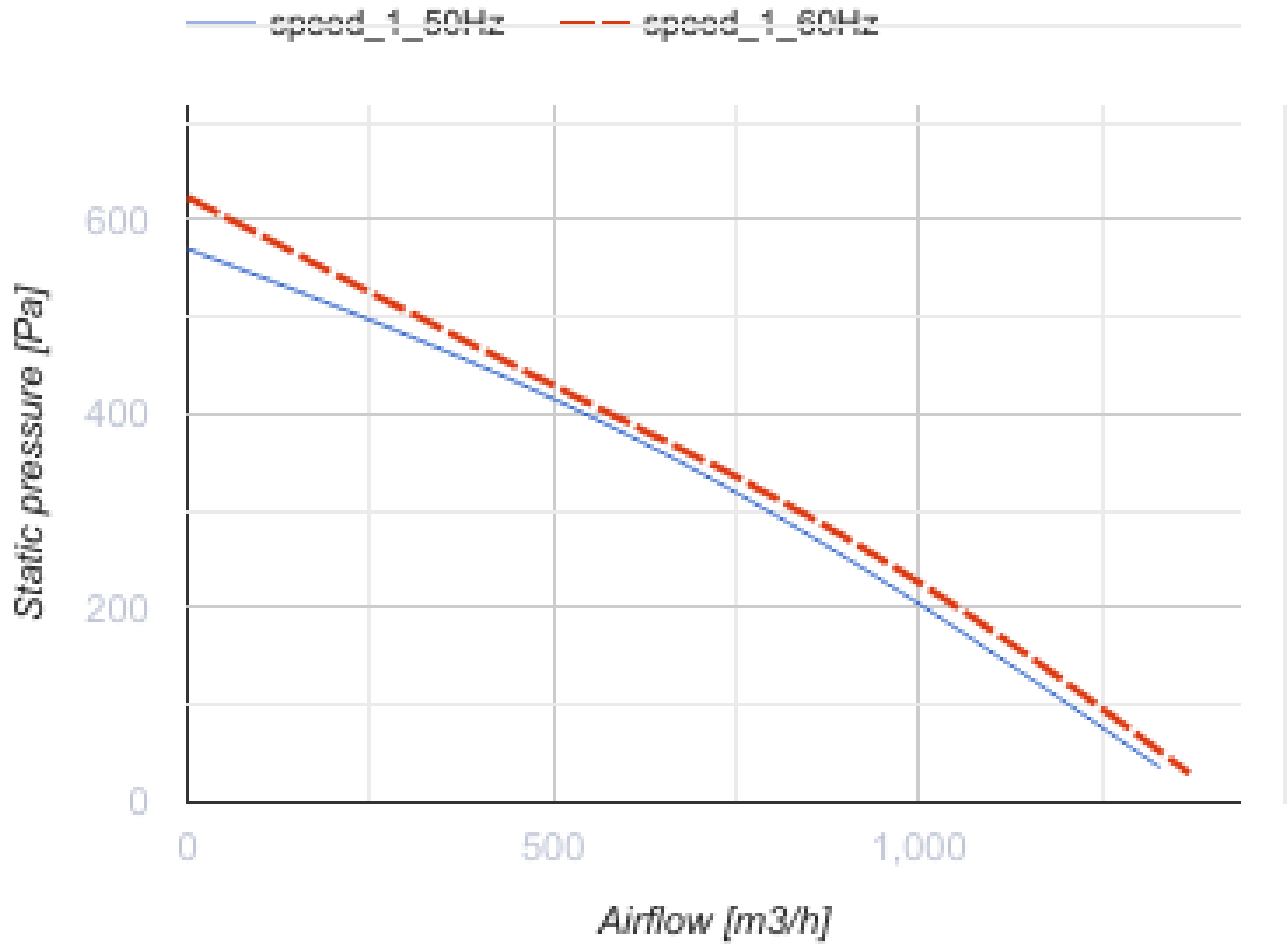


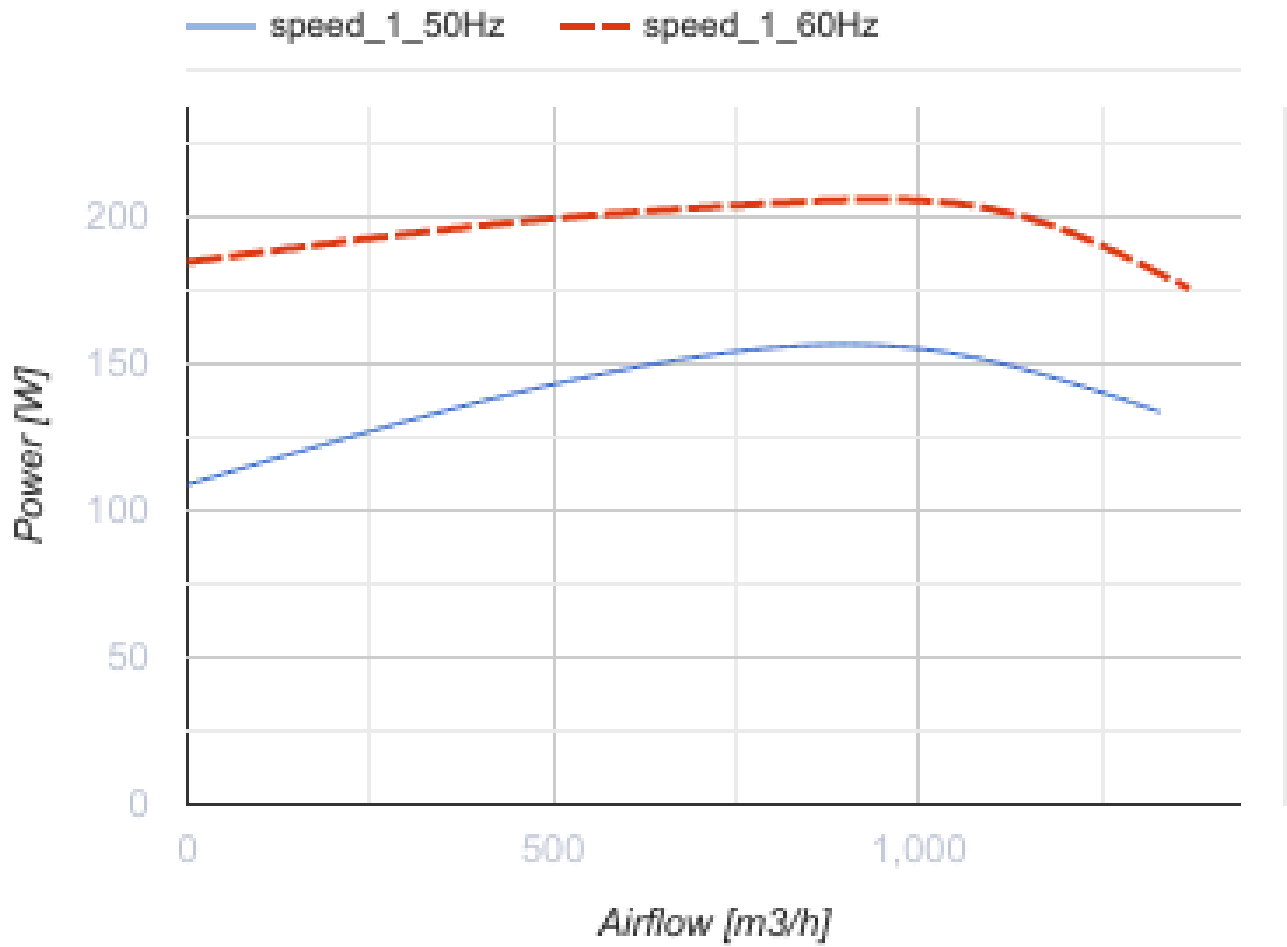
## Centro-MZ 315 L

Inline centrifugal fans

- Maximum airflow: 1330
- Sound pressure level LpA at 3 m: 52
- Motor type: AC
- Impeller type: Centrifugal impeller with backward curved blades
- Casing material: Galvanized steel
- Installation in any position

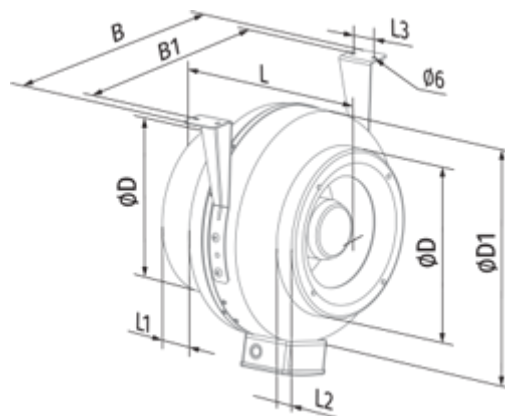
	Unit of measurement	Centro-MZ 315 L
Connected air duct size	mm	315
Speed	-	1
Minimum supply voltage	V	220
Maximum supply voltage	V	240
Power supply frequency	Hz	50/60
Rated power	W	151
Unit current	A	0.66
Maximum airflow	m <sup>3</sup> /h	1330
Sound pressure level LpA at 3 m	dB(A)	52
Weight	kg	6.5
Transported air temperature (max)	°C	50
Transported air temperature (min)	°C	-25
Ingress protection rating	-	IPX4
Ingress protection rating of the drive	-	IP44





### Dimensions

ØD	ØD1	B	B1	L	L1	L2	L3
313	402	450	410	308	33	55	40




## Ecodesign

Trademark	Blauberg
Model	Centro-MZ 315 L
Type of ventilation unit	Unidirectional
Type of drive installed	External MSD or VSD
Type of heat recovery system	None
Nominal flow rate (m <sup>3</sup> /s)	0.204
Nominal external pressure (Pa)	323
Maximum external leakage rates (%)	2.7
Static efficiency (%)	44.3
Declared typology	NRVU UVU
Sound power level (dB(A))	72
Effective electric power input (kW)	0.152

## Accessories

### Thyristor speed controllers

Name	Photo	Description
<a href="#">CDT E1.8</a>		Thyristor speed controller