

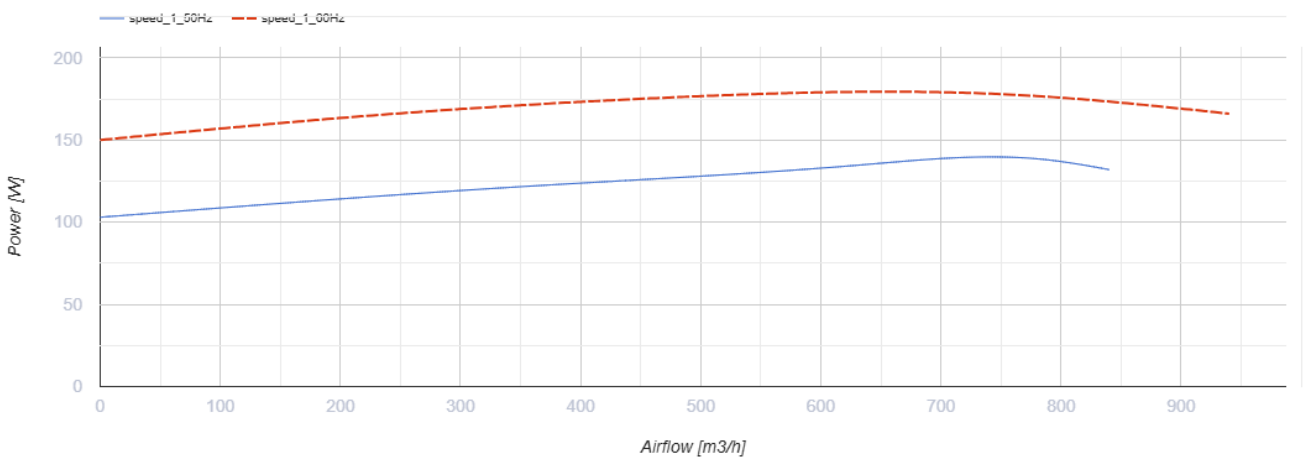
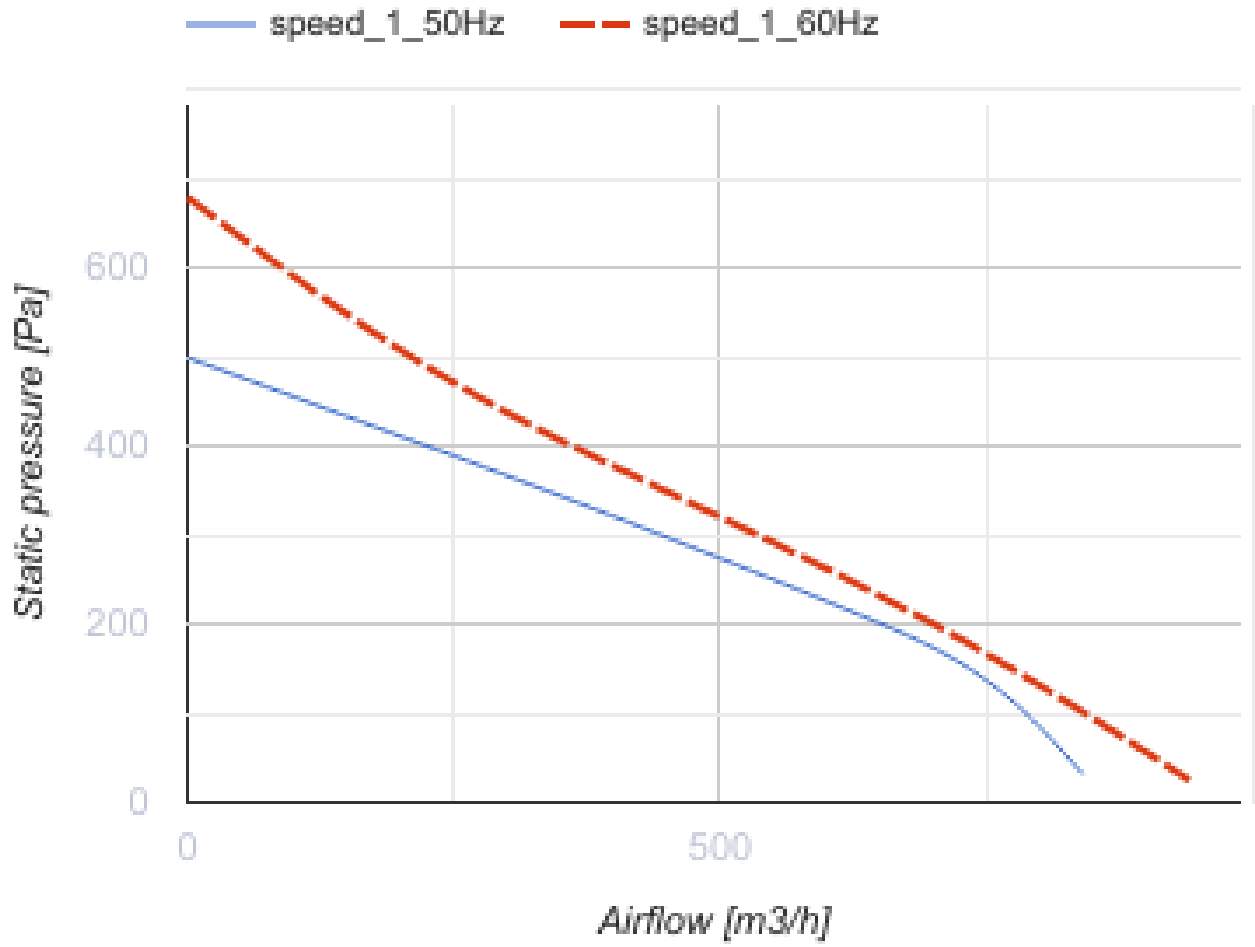


Centro-MZ 200 L

Inline centrifugal fans

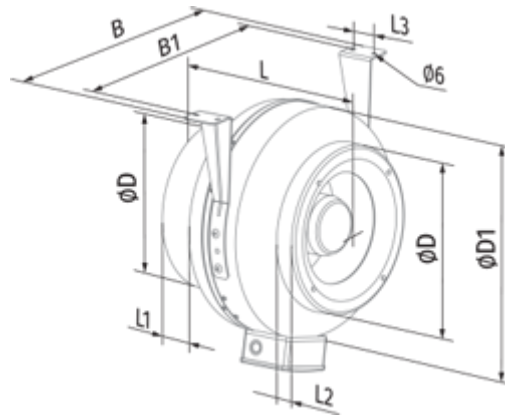
- Maximum airflow: 900
- Sound pressure level LpA at 3 m: 48
- Motor type: AC
- Impeller type: Centrifugal impeller with backward curved blades
- Casing material: Galvanized steel
- Installation in any position

	Unit of measurement	Centro-MZ 200 L
Connected air duct size	mm	200
Speed	-	1
Minimum supply voltage	V	220
Maximum supply voltage	V	240
Power supply frequency	Hz	50/60
Rated power	W	130
Unit current	A	0.56
Maximum airflow	m ³ /h	900
Sound pressure level LpA at 3 m	dB(A)	48
Weight	kg	5.5
Transported air temperature (max)	°C	50
Transported air temperature (min)	°C	-25
Ingress protection rating	-	IPX4
Ingress protection rating of the drive	-	IP44



Dimensions

$\varnothing D$	$\varnothing D1$	B	B1	L	L1	L2	L3
198	332	380	340	245	25	29	40




Ecodesign

Trademark	Blauberg
Model	Centro-MZ 200 L
Type of ventilation unit	Unidirectional
Type of drive installed	Integrated VSD
Type of heat recovery system	None
Nominal flow rate (m ³ /s)	0.137
Nominal external pressure (Pa)	308
Maximum external leakage rates (%)	2.7
Static efficiency (%)	33.6
Declared typology	NRVU UVU
Sound power level (dB(A))	69
Effective electric power input (kW)	0.128

Accessories

Thyristor speed controllers

Name	Photo	Description
CDT E1.8		Thyristor speed controller