

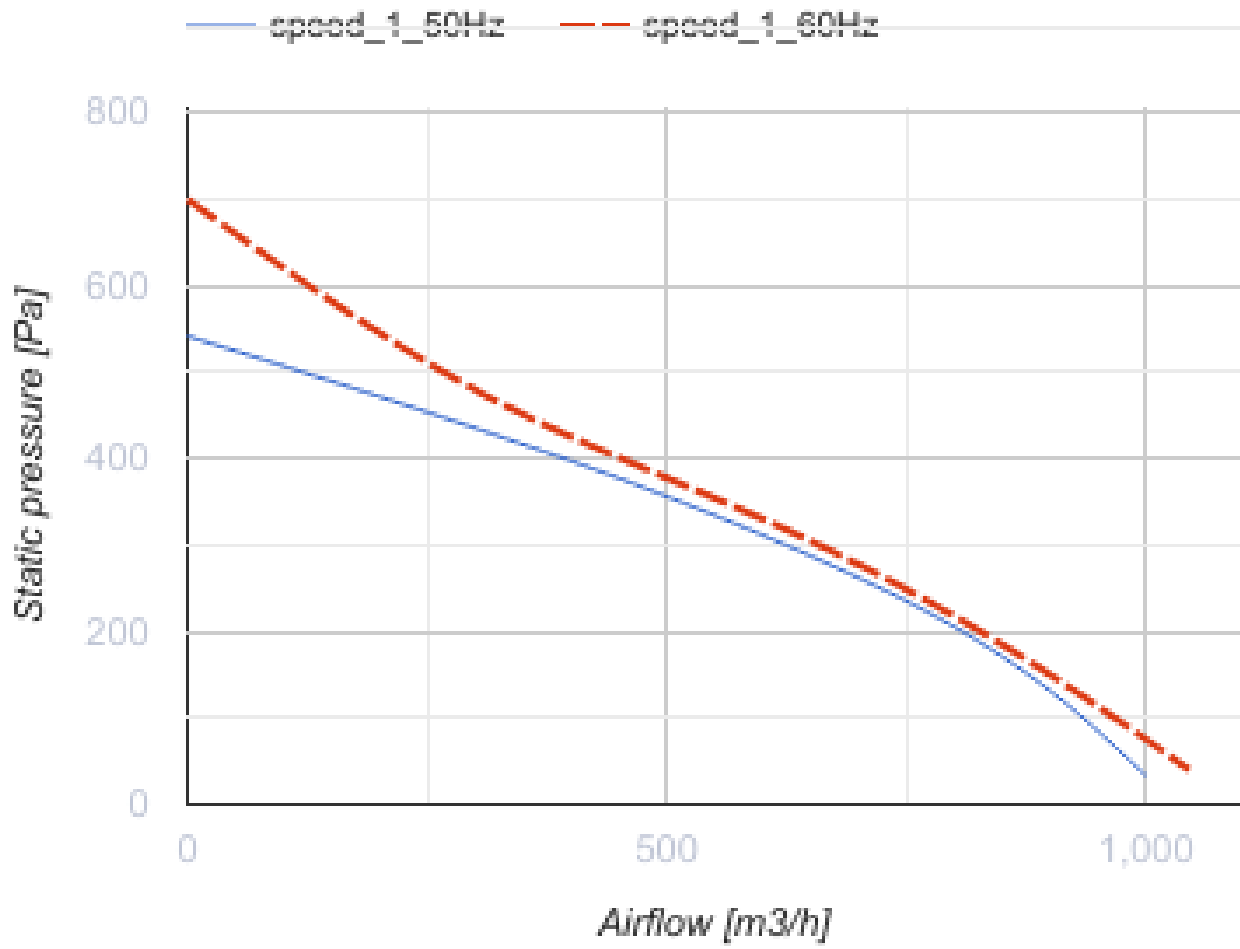


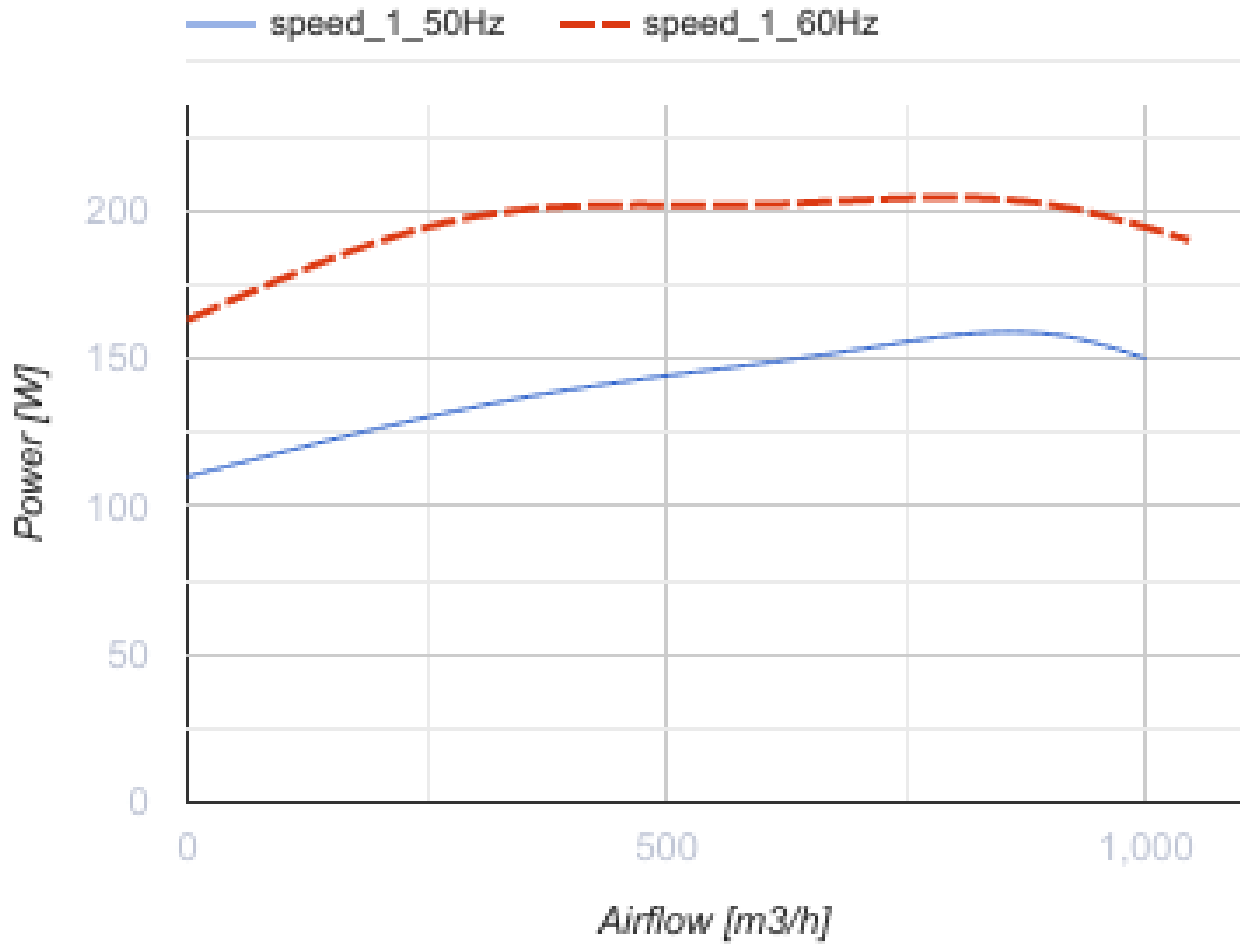
Centro-MZ 200

Inline centrifugal fans

- Maximum airflow: 1000
- Sound pressure level LpA at 3 m: 50
- Motor type: AC
- Impeller type: Centrifugal impeller with backward curved blades
- Casing material: Galvanized steel
- Installation in any position

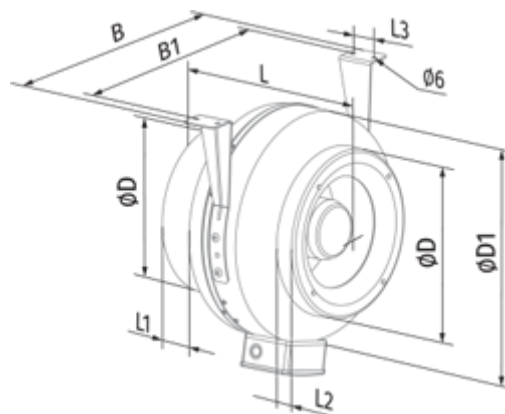
	Unit of measurement	Centro-MZ 200
Connected air duct size	mm	200
Speed	-	1
Minimum supply voltage	V	220
Maximum supply voltage	V	240
Power supply frequency	Hz	50/60
Rated power	W	144
Unit current	A	0.63
Maximum airflow	m ³ /h	1000
Sound pressure level LpA at 3 m	dB(A)	50
Weight	kg	5.6
Transported air temperature (max)	°C	50
Transported air temperature (min)	°C	-25
Ingress protection rating	-	IPX4
Ingress protection rating of the drive	-	IP44



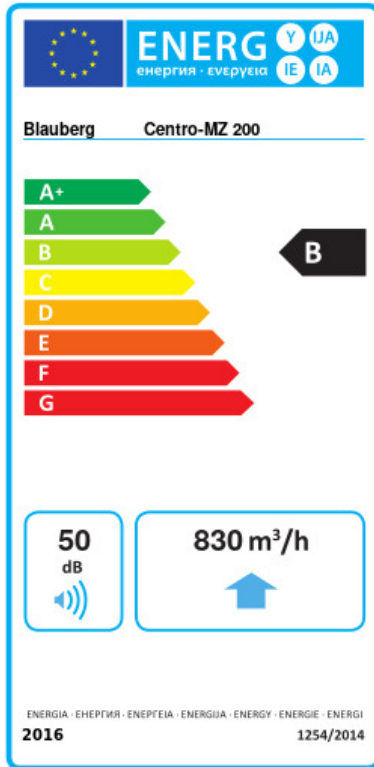


Dimensions

ØD	ØD1	B	B1	L	L1	L2	L3
198	332	380	340	245	25	29	40



Ecodesign



Trademark	Blauberg					
Model	Centro-MZ 200					
Specific energy consumption (SEC) (kWh/(m ² /a))	Cold		Average		Warm	
	-53.2	A+	-26.1	B	-10.6	E
Type of ventilation unit	Unidirectional					
Type of drive installed	Variable speed					
Type of heat recovery system	None					
Maximum flow rate (m ³ /h)	830					
Electric power input (W)	137					
Reference flow rate (m ³ /s)	0.161					
Reference pressure difference (Pa)	50					
Specific power input (SPI) (W/(m ³ /h))	0.165					
Control typology	Local demand control					
Maximum external leakage rates (%)	2.7					
Declared typology	RVU UVU					
Sound power level (dB(A))	50					
The annual electricity consumption (AEC) (kWh/a)	Cold		Average		Warm	
	87		87		87	
The annual heating saved (AHS) (kWh/a)	Cold		Average		Warm	
	5536		2830		1280	

Accessories

Thyristor speed controllers

Name	Photo	Description
CDT E1.8		Thyristor speed controller