

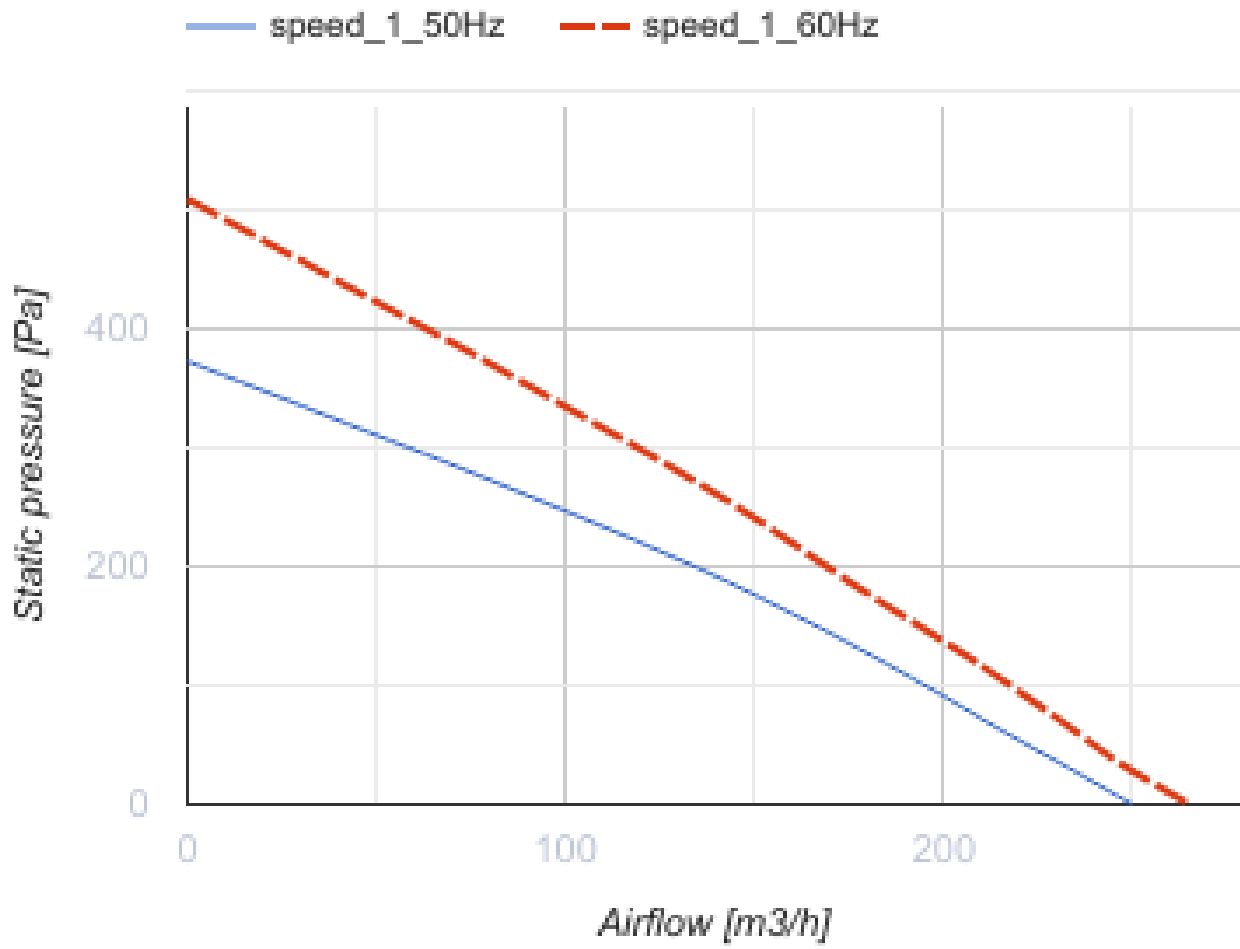


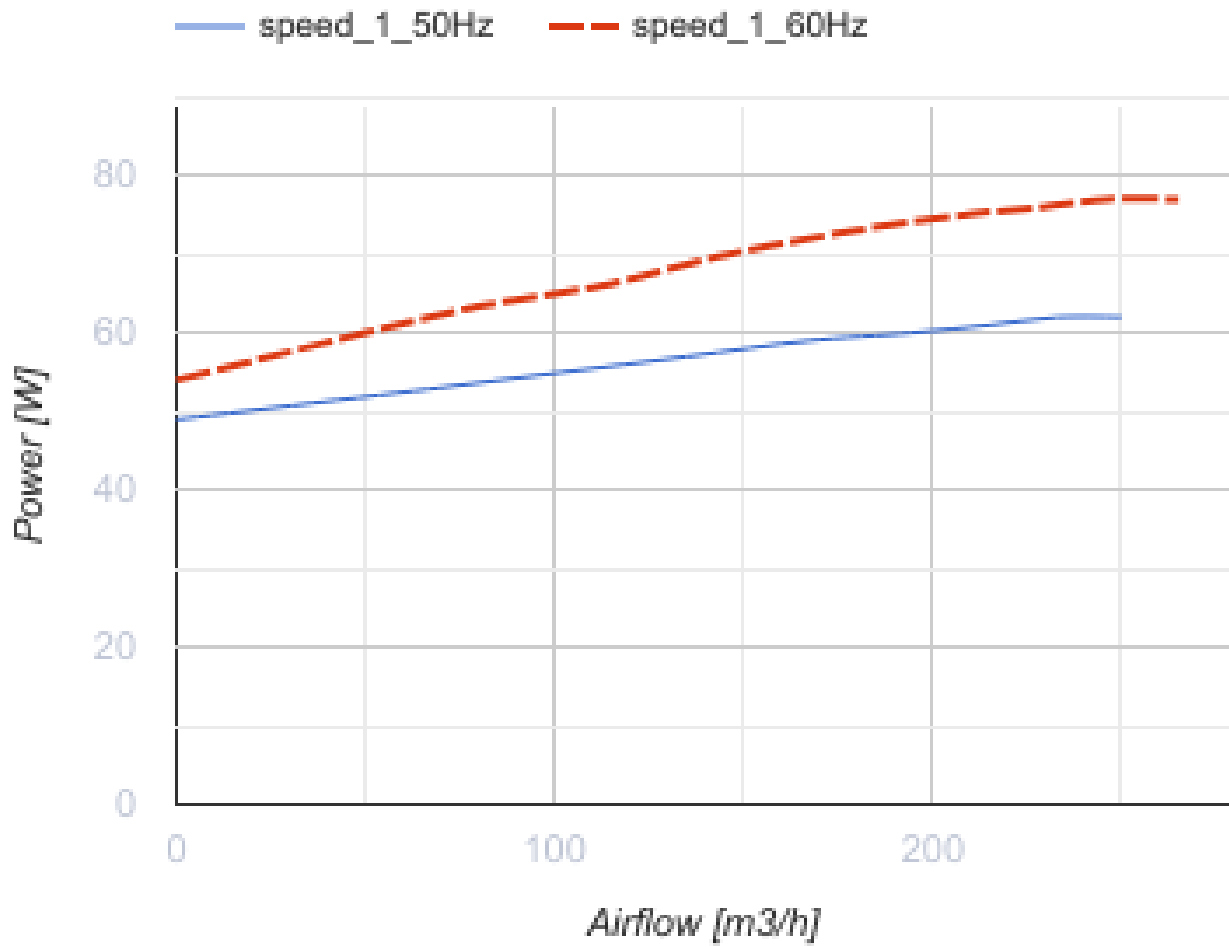
Centro-MZ 100

Inline centrifugal fans

- Maximum airflow: 250
- Sound pressure level LpA at 3 m: 46
- Motor type: AC
- Impeller type: Centrifugal impeller with backward curved blades
- Casing material: Galvanized steel
- Installation in any position

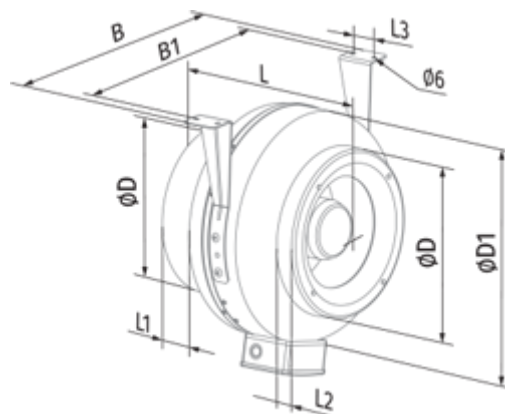
	Unit of measurement	Centro-MZ 100
Connected air duct size	mm	100
Speed	-	1
Minimum supply voltage	V	220
Maximum supply voltage	V	240
Power supply frequency	Hz	50/60
Rated power	W	62
Unit current	A	0.28
Maximum airflow	m ³ /h	250
Sound pressure level LpA at 3 m	dB(A)	46
Weight	kg	2.8
Transported air temperature (max)	°C	55
Transported air temperature (min)	°C	-25
Ingress protection rating	-	IPX4
Ingress protection rating of the drive	-	IP44



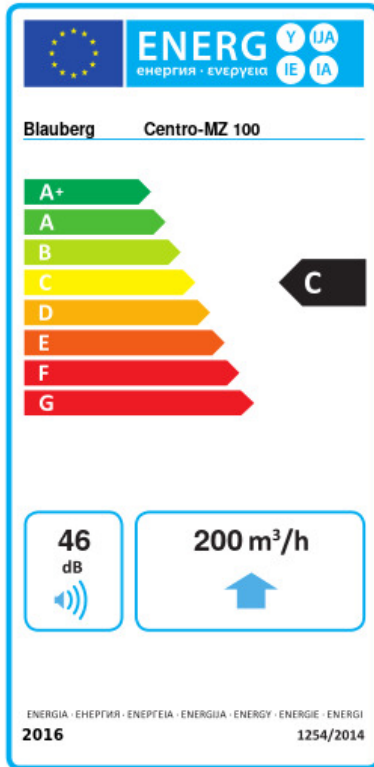


Dimensions

ØD	ØD1	B	B1	L	L1	L2	L3
98	245	300	260	195	20	20	30



Ecodesign



Trademark	Blauberg		
Model	Centro-MZ 100		
Specific energy consumption (SEC) (kWh/(m ² /a))	Cold	Average	Warm
	-52 A+	-24.9 C	-9.4 F
Type of ventilation unit	Unidirectional		
Type of drive installed	Variable speed		
Type of heat recovery system	None		
Maximum flow rate (m ³ /h)	200		
Electric power input (W)	60		
Reference flow rate (m ³ /s)	0.078		
Reference pressure difference (Pa)	50		
Specific power input (SPI) (W/(m ³ /h))	0.254		
Control typology	Local demand control		
Maximum external leakage rates (%)	2.7		
Declared typology	RVU UVU		
Sound power level (dB(A))	46		
The annual electricity consumption (AEC) (kWh/a)	Cold	Average	Warm
	134	134	134
The annual heating saved (AHS) (kWh/a)	Cold	Average	Warm
	5536	2830	1280

Accessories

Thyristor speed controllers

Name	Photo	Description
CDT E1.8		Thyristor speed controller