

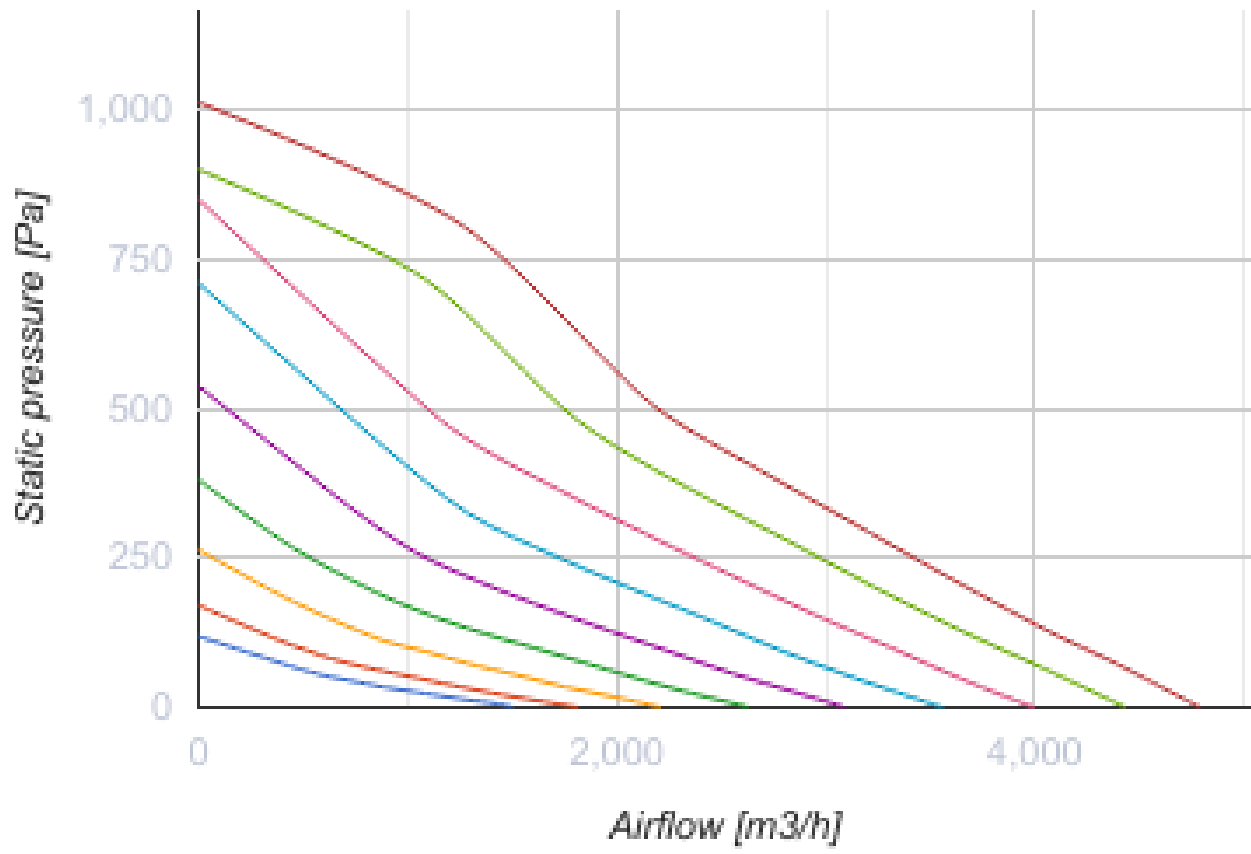
Centro-M EC 400

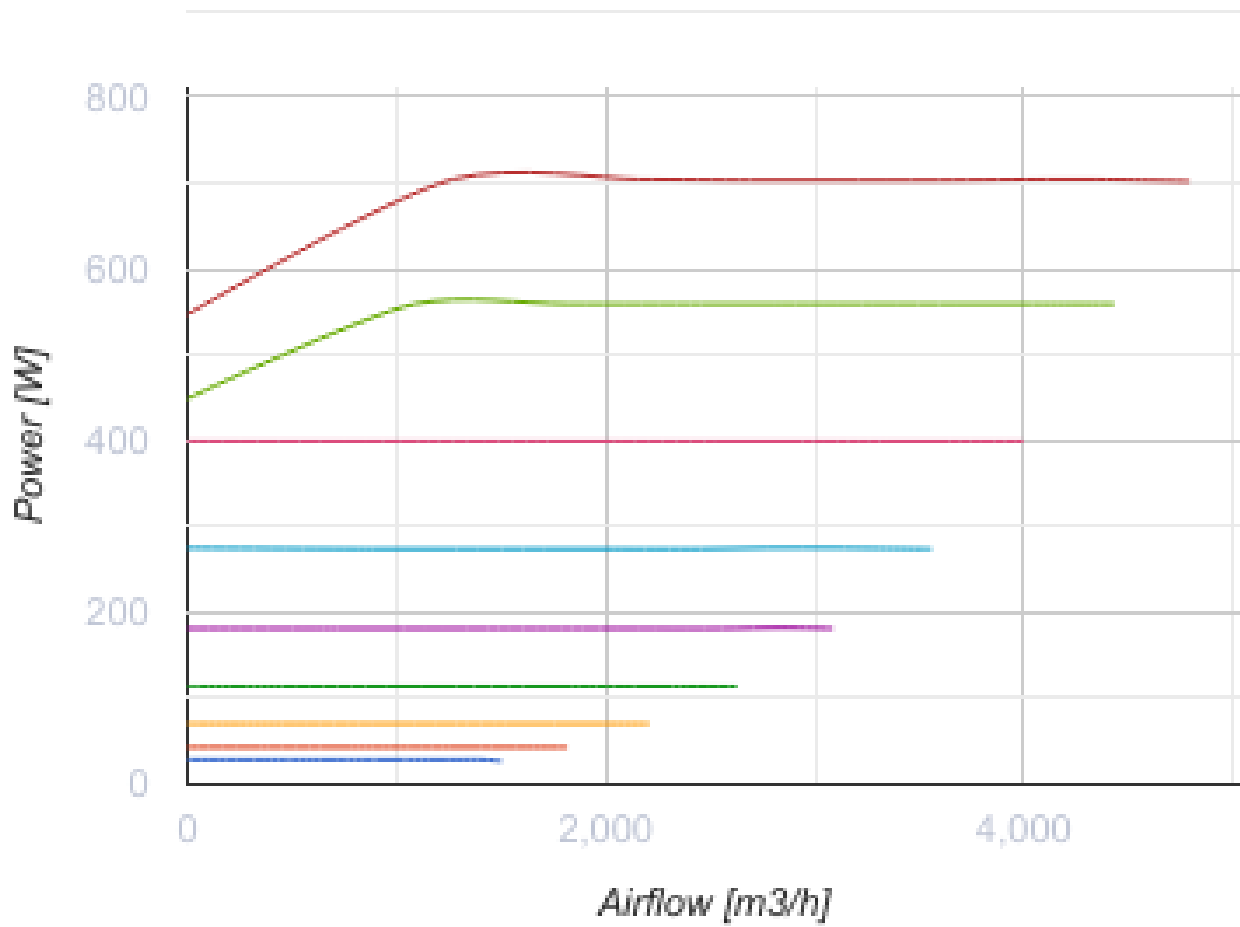
Inline mixed-flow fans with EC motor



- Maximum airflow: 4790
- Sound pressure level LpA at 3 m: 67
- Motor type: EC
- Impeller type: Centrifugal impeller with backward curved blades
- Casing material: Coated steel
- Installation in any position

	Unit of measurement	Centro-M EC 400
Connected air duct size	mm	400
Speed	-	1
Minimum supply voltage	V	230
Maximum supply voltage	V	230
Power supply frequency	Hz	50/60
Rated power	W	704
Unit current	A	3.13
Maximum airflow	m ³ /h	4790
Sound pressure level LpA at 3 m	dB(A)	67
Weight	kg	18.7
Transported air temperature (max)	°C	60
Transported air temperature (min)	°C	-25
Ingress protection rating	-	IPX4
Ingress protection rating of the drive	-	IP44

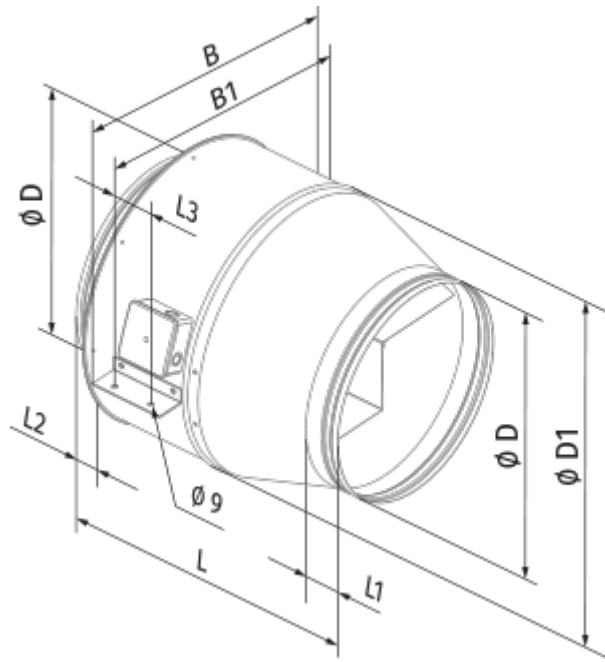




Dimensions

ØD	ØD1	B	B1	L	L1	L2	L3
398	570	663	634	599	60	60	70





Ecodesign

Trademark	Blauberg
Model	Centro-M EC 400
Type of ventilation unit	Unidirectional
Type of drive installed	Integrated VSD
Type of heat recovery system	None
Nominal flow rate (m ³ /s)	0.6
Nominal external pressure (Pa)	508
Maximum external leakage rates (%)	2.7
Static efficiency (%)	48.5
Declared typology	NRVU UVU
Sound power level (dB(A))	71
Effective electric power input (kW)	0.704

Accessories

Other accessories

Name	Photo	Description
CDT E1.8		Thyristor speed controller