

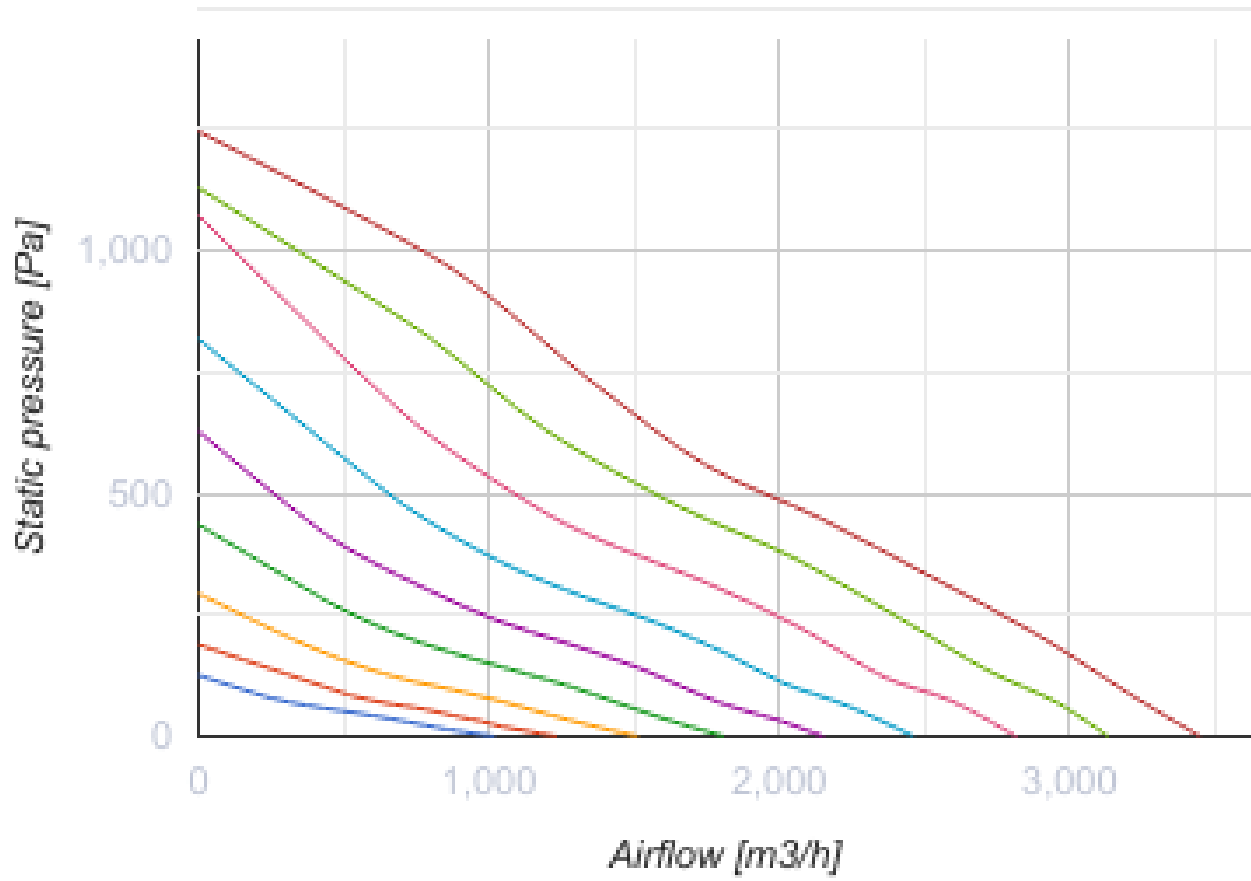


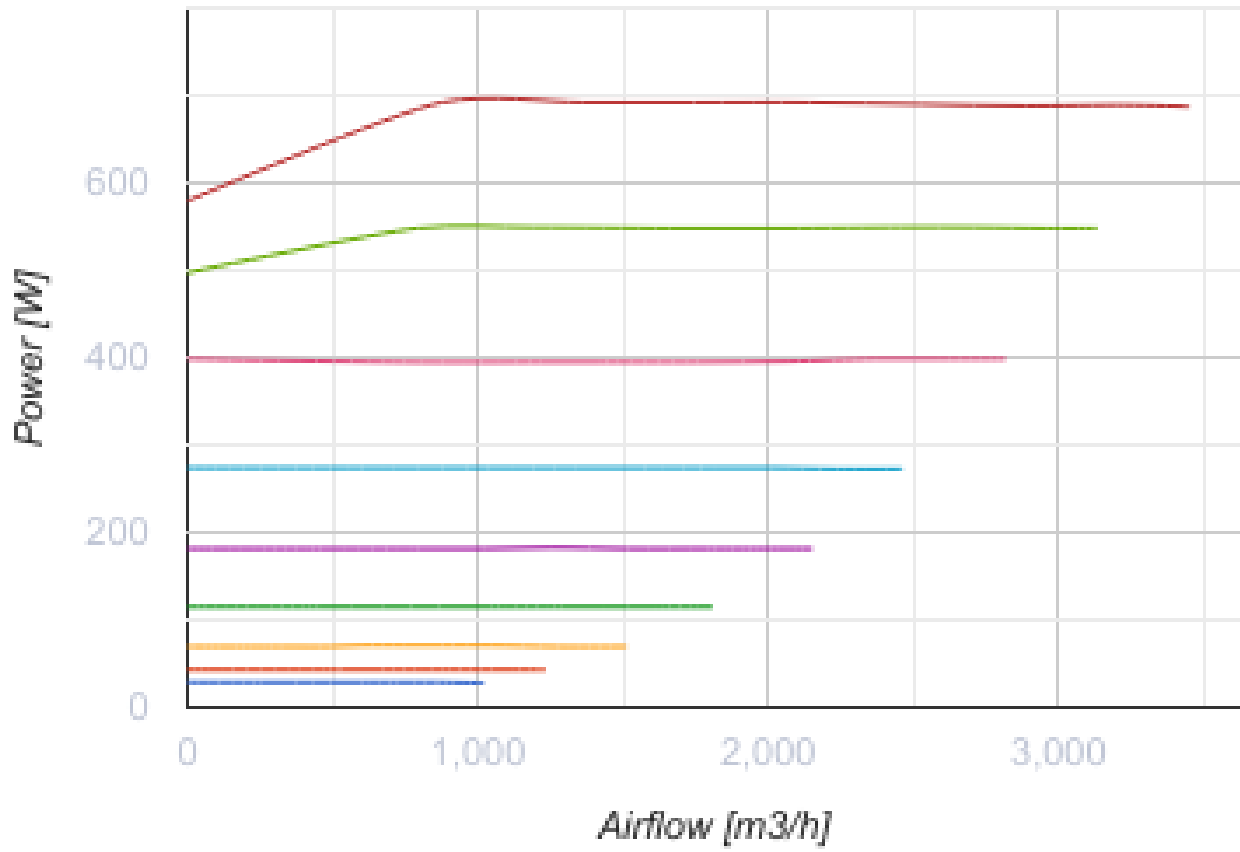
Centro-M EC 355

Inline mixed-flow fans with EC motor

- Maximum airflow: 3450
- Sound pressure level LpA at 3 m: 62
- Motor type: EC
- Impeller type: Centrifugal impeller with backward curved blades
- Casing material: Coated steel
- Installation in any position

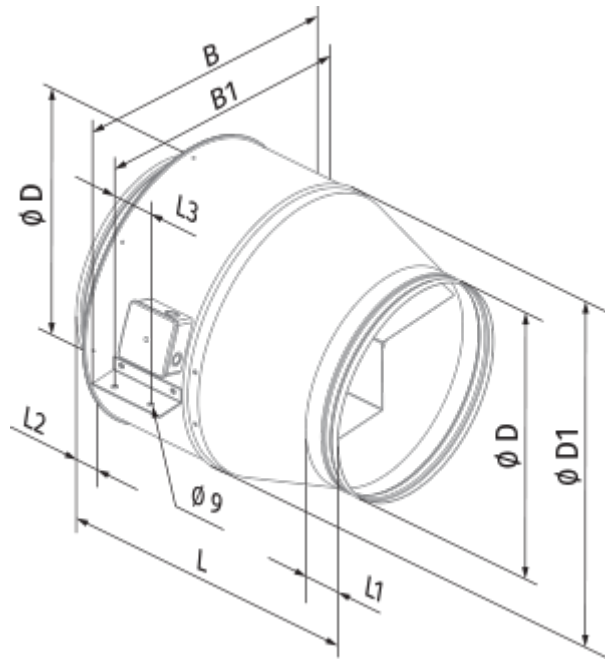
	Unit of measurement	Centro-M EC 355
Connected air duct size	mm	355
Speed	-	1
Minimum supply voltage	V	230
Maximum supply voltage	V	230
Power supply frequency	Hz	50/60
Rated power	W	693
Unit current	A	3.07
Maximum airflow	m ³ /h	3450
Sound pressure level LpA at 3 m	dB(A)	62
Weight	kg	15.8
Transported air temperature (max)	°C	60
Transported air temperature (min)	°C	-25
Ingress protection rating	-	IPX4
Ingress protection rating of the drive	-	IP44





Dimensions

ØD	ØD1	B	B1	L	L1	L2	L3
353	460	552	522	562	60	60	70




Ecodesign

Trademark	Blauberg
Model	Centro-M EC 355
Type of ventilation unit	Unidirectional
Type of drive installed	Integrated VSD
Type of heat recovery system	None
Nominal flow rate (m ³ /s)	0.485
Nominal external pressure (Pa)	559
Maximum external leakage rates (%)	2.7
Static efficiency (%)	43.9
Declared typology	NRVU UVU
Effective electric power input (kW)	0.693
Sound power level (dB(A))	67

Accessories

Thyristor speed controllers

Name	Photo	Description
CDT E1.8		Thyristor speed controller