

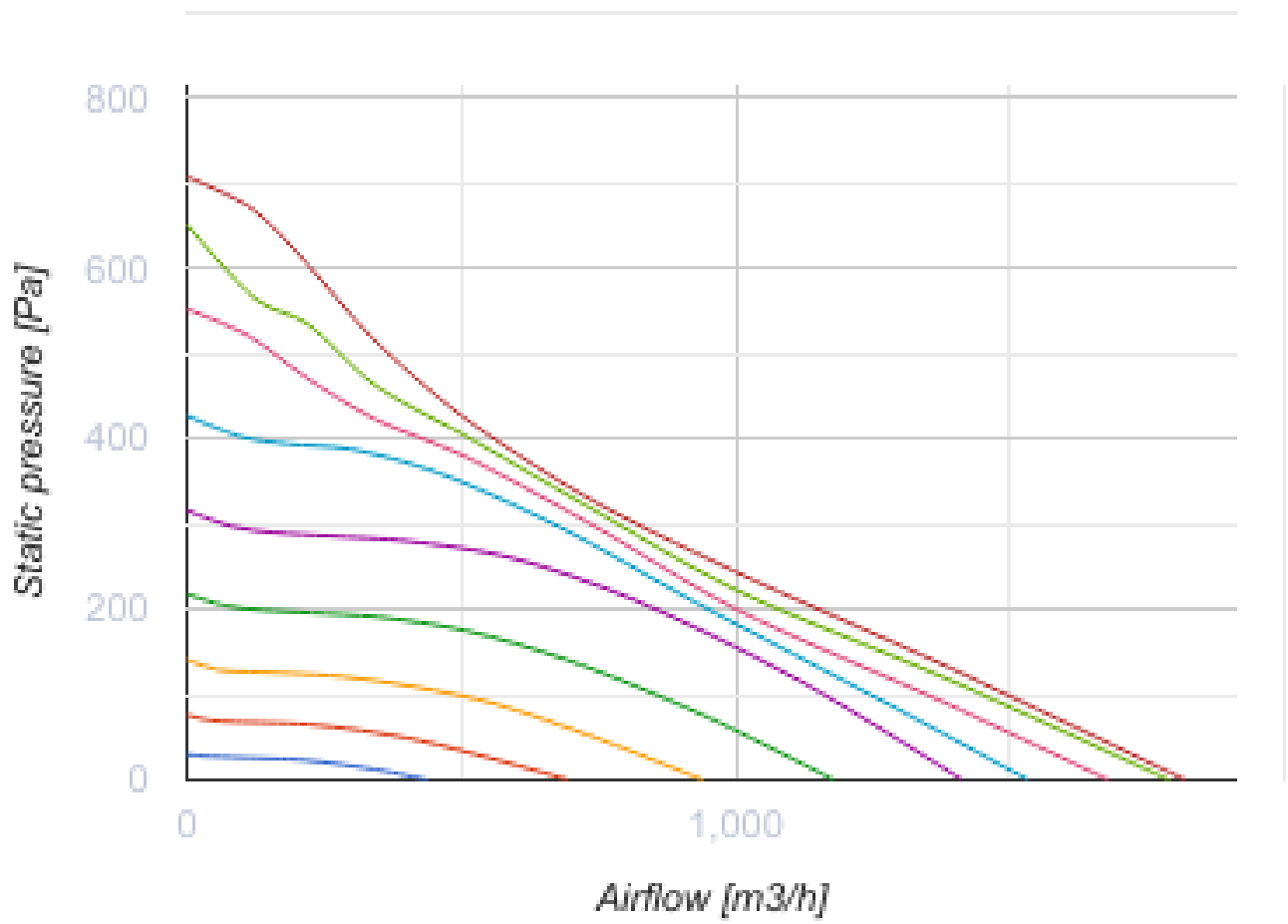


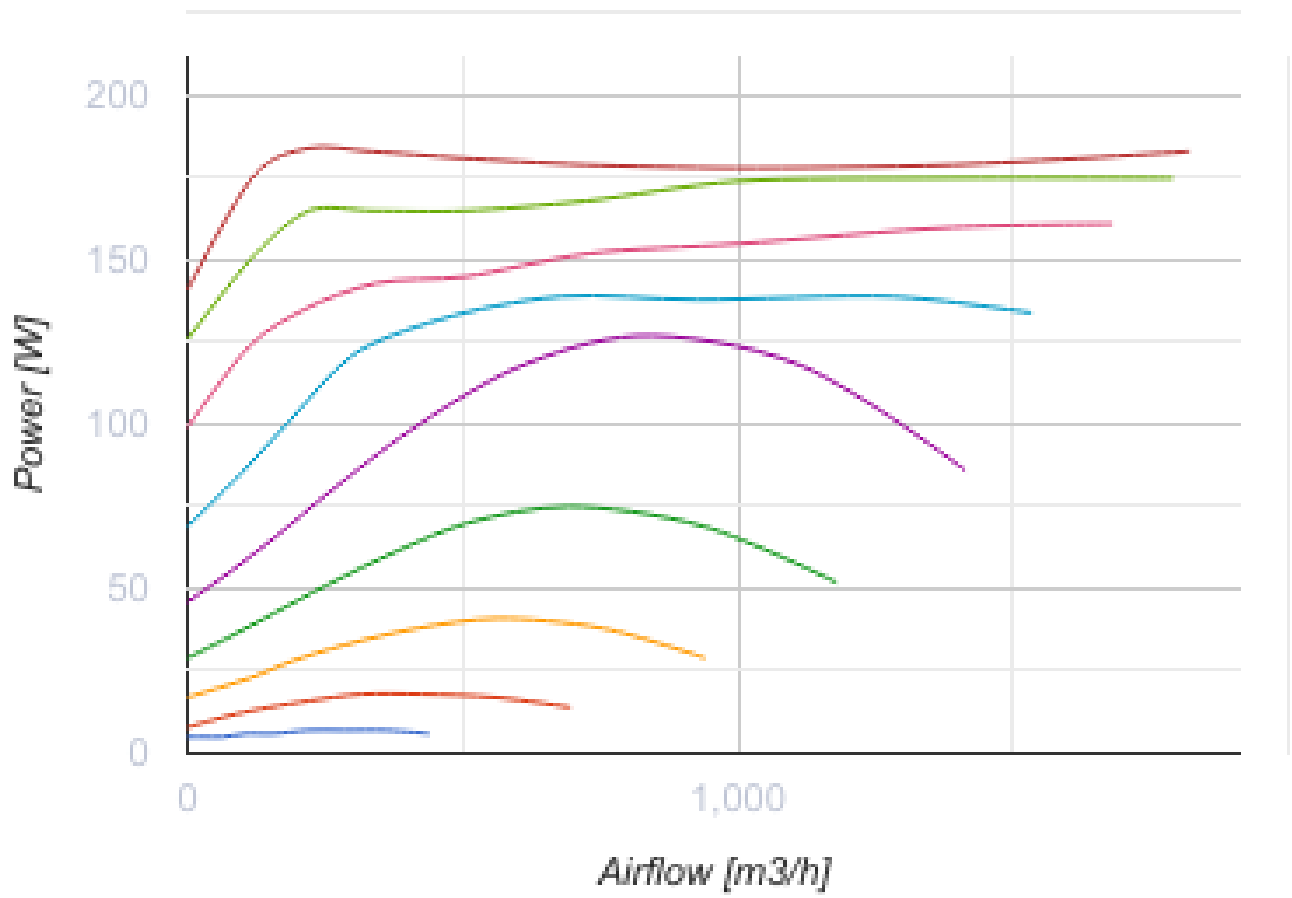
# Centro-M EC 315 max

Inline mixed-flow fans with EC motor

- Maximum airflow: 1820
- Sound pressure level LpA at 3 m: 49
- Motor type: EC
- Impeller type: Centrifugal impeller with backward curved blades
- Casing material: Coated steel
- Installation in any position

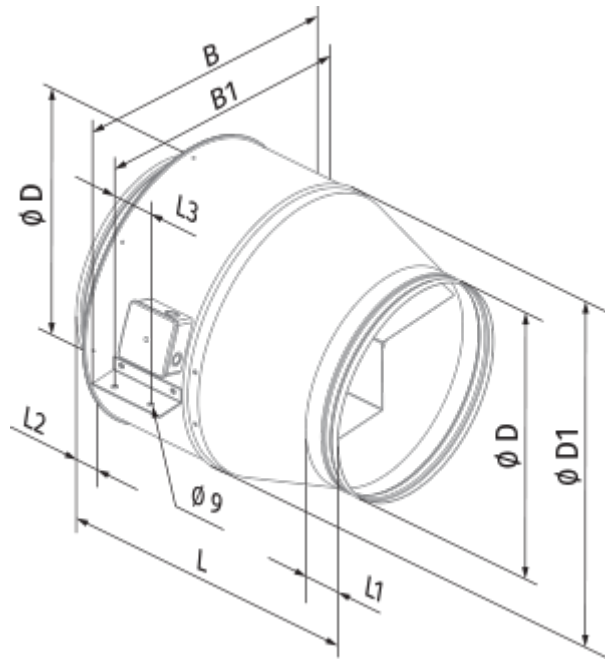
	Unit of measurement	Centro-M EC 315 max
Connected air duct size	mm	315
Speed	-	1
Minimum supply voltage	V	230
Maximum supply voltage	V	230
Power supply frequency	Hz	50/60
Rated power	W	183
Unit current	A	1.44
Maximum airflow	m <sup>3</sup> /h	1820
Sound pressure level LpA at 3 m	dB(A)	49
Weight	kg	9.4
Transported air temperature (max)	°C	60
Transported air temperature (min)	°C	-25
Ingress protection rating	-	IPX4
Ingress protection rating of the drive	-	IP44





## Dimensions

ØD	ØD1	B	B1	L	L1	L2	L3
313	410	502	472	462	60	60	50



## Ecodesign

Trademark	Blauberg
Model	Centro-M EC 315 max
Type of ventilation unit	Unidirectional
Type of drive installed	Integrated VSD
Type of heat recovery system	None
Nominal flow rate (m <sup>3</sup> /s)	0.292
Nominal external pressure (Pa)	262
Maximum external leakage rates (%)	2.7
Static efficiency (%)	45
Declared typology	NRVU UVU
Effective electric power input (kW)	0.197
Sound power level (dB(A))	71