

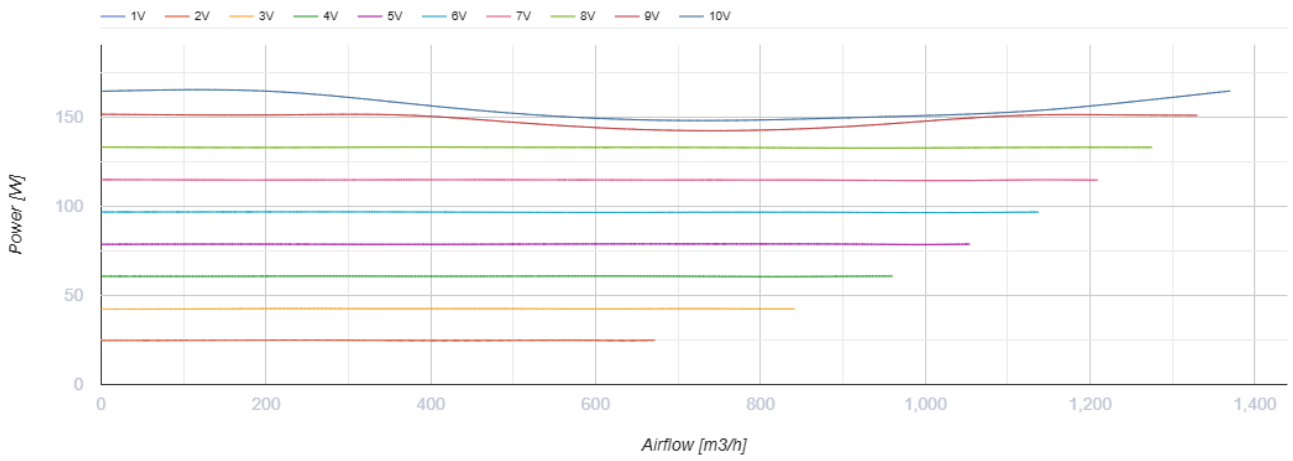
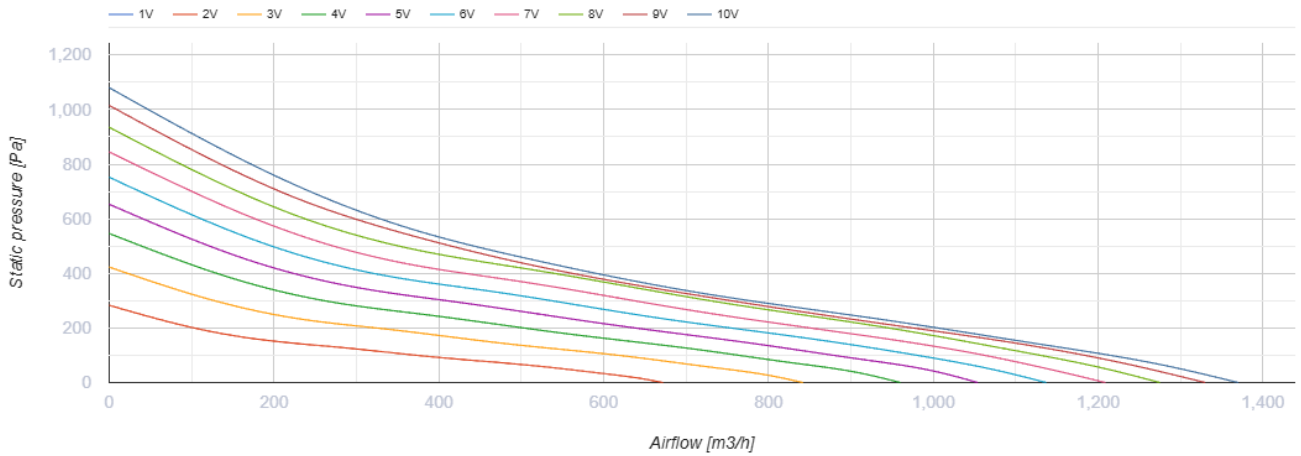


## Centro-M EC 315

Inline mixed-flow fans with EC motor

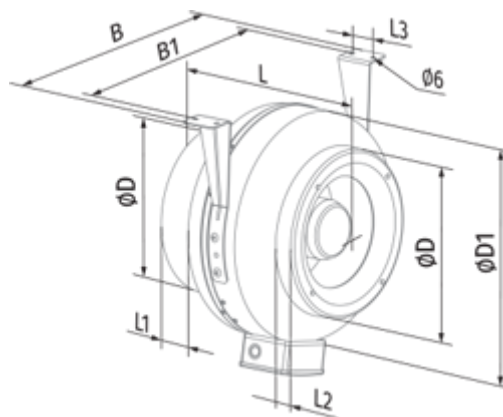
- Maximum airflow: 1370
- Sound pressure level LpA at 3 m: 48
- Motor type: EC
- Impeller type: Centrifugal impeller with backward curved blades
- Casing material: Coated steel
- Installation in any position

|  | Unit of measurement | Centro-M EC 315 |
|--|---------------------|-----------------|
| Connected air duct size                | mm                  | 315             |
| Speed                                  | -                   | 1               |
| Minimum supply voltage                 | V                   | 230             |
| Maximum supply voltage                 | V                   | 230             |
| Power supply frequency                 | Hz                  | 50/60           |
| Rated power                            | W                   | 164             |
| Unit current                           | A                   | 1.15            |
| Maximum airflow                        | m <sup>3</sup> /h   | 1370            |
| Sound pressure level LpA at 3 m        | dB(A)               | 48              |
| Weight                                 | kg                  | 7.3             |
| Transported air temperature (max)      | °C                  | 60              |
| Transported air temperature (min)      | °C                  | -25             |
| Ingress protection rating              | -                   | IPX4            |
| Ingress protection rating of the drive | -                   | IP44            |



## Dimensions

| ØD  | ØD1 | B   | B1  | L   | L1 | L2 | L3 |
|-----|-----|-----|-----|-----|----|----|----|
| 314 | 405 | 455 | 415 | 260 | 30 | 30 | 40 |




## Ecodesign

|                                       |                 |
|---------------------------------------|-----------------|
| Trademark                             | Blauberg        |
| Model                                 | Centro-M EC 315 |
| Type of ventilation unit              | Unidirectional  |
| Type of drive installed               | Integrated VSD  |
| Type of heat recovery system          | None            |
| Nominal flow rate (m <sup>3</sup> /s) | 0.226           |
| Nominal external pressure (Pa)        | 343             |
| Maximum external leakage rates (%)    | 2.7             |
| Static efficiency (%)                 | 56.9            |
| Declared typology                     | NRVU UVU        |
| Effective electric power input (kW)   | 0.159           |
| Sound power level (dB(A))             | 68              |

## Accessories

### Thyristor speed controllers

| Name                     | Photo   | Description                |
|--------------------------|---|----------------------------|
| <a href="#">CDT E1.8</a> |  | Thyristor speed controller |