



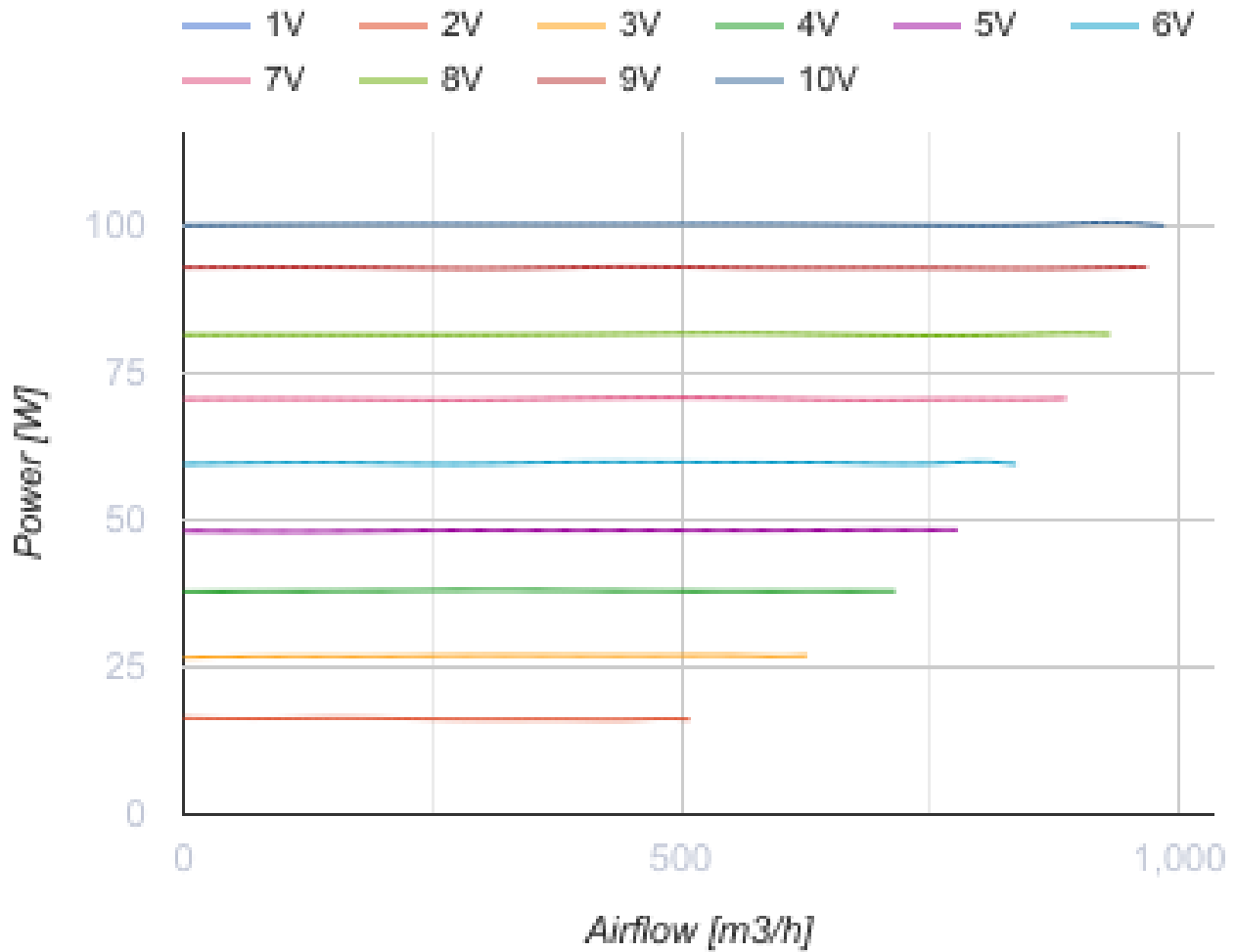
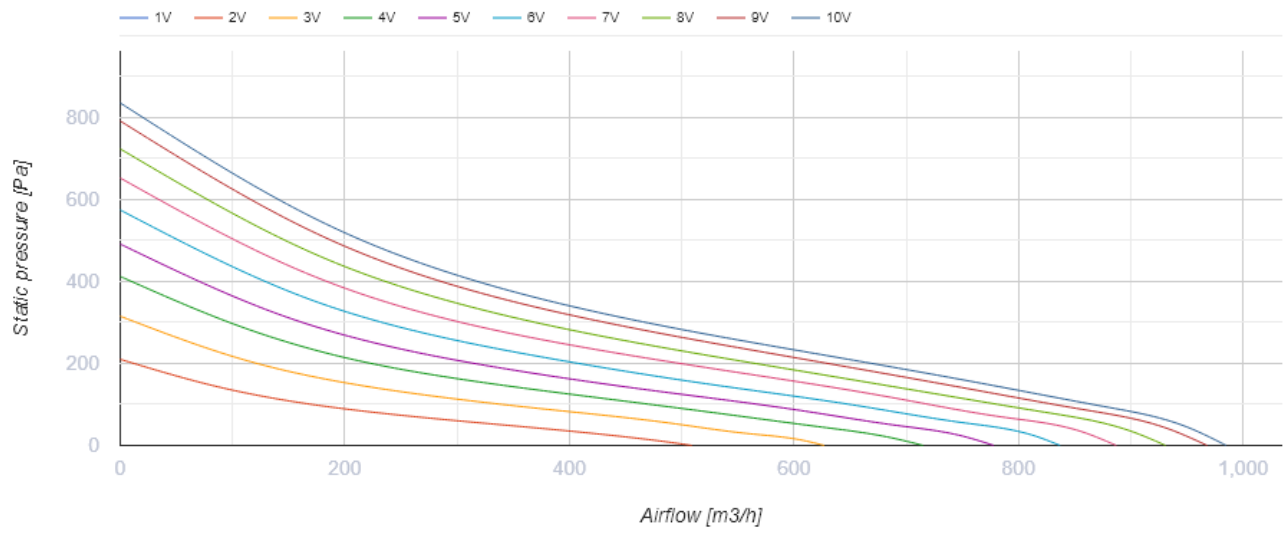
Centro-M EC 250

L

Inline mixed-flow fans with EC motor

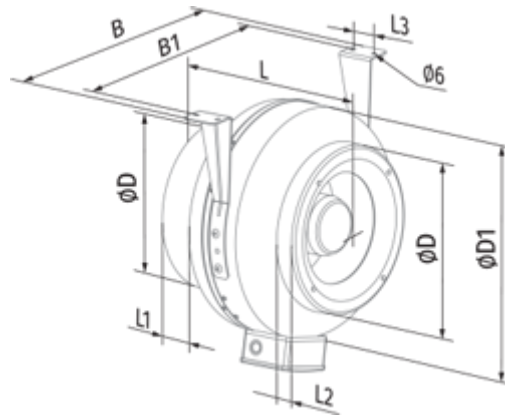
- Maximum airflow: 2500
- Sound pressure level LpA at 3 m: 44
- Motor type: EC
- Impeller type: Centrifugal impeller with backward curved blades
- Casing material: Coated steel
- Installation in any position

	Unit of measurement	Centro-M EC 250 L
Connected air duct size	mm	250
Speed	-	1
Minimum supply voltage	V	230
Maximum supply voltage	V	230
Power supply frequency	Hz	50/60
Rated power	W	100
Unit current	A	0.74
Maximum airflow	m ³ /h	2500
Sound pressure level LpA at 3 m	dB(A)	44
Transported air temperature (max)	°C	60
Transported air temperature (min)	°C	-25
Ingress protection rating	-	IPX4
Ingress protection rating of the drive	-	IP44

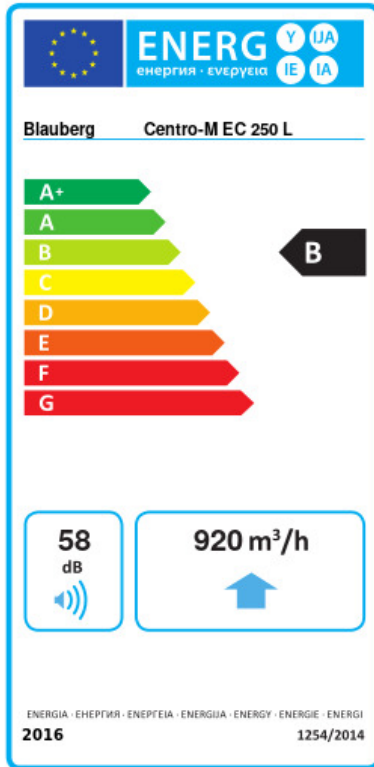


Dimensions

ØD	ØD1	B	B1	L	L1	L2	L3
248	345	395	355	250	25	30	40



Ecodesign



Trademark	Blauberg			
Model	Centro-M EC 250 L			
Specific energy consumption (SEC) (kWh/(m ² /a))	Cold	Average	Warm	
	-54.6	A+	-27.5	B -12 E
Type of ventilation unit	Unidirectional			
Type of drive installed	Variable speed			
Type of heat recovery system	None			
Maximum flow rate (m ³ /h)	920			
Electric power input (W)	105			
Reference flow rate (m ³ /s)	0.179			
Reference pressure difference (Pa)	50			
Specific power input (SPI) (W/(m ³ /h))	0.061			
Control typology	Local demand control			
Maximum external leakage rates (%)	2.7			
Declared typology	RVU UVU			
Sound power level (dB(A))	58			
The annual electricity consumption (AEC) (kWh/a)	Cold	Average	Warm	
	32	32	32	
The annual heating saved (AHS) (kWh/a)	Cold	Average	Warm	
	5536	2830	1280	

Accessories

Thyristor speed controllers

Name	Photo	Description
CDT E1.8		Thyristor speed controller